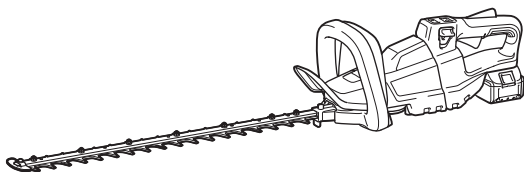


INSTRUCTION MANUAL
MANUEL D'INSTRUCTION
MANUAL DE INSTRUCCIONES



Cordless Hedge Trimmer Taille-haie sans fil Cortasetos Inalámbrico

DUH501
DUH601
DUH751
DUH502
DUH602
DUH752



IMPORTANT: Read Before Using.

IMPORTANT : Lire avant usage.

IMPORTANTE: Lea antes de usar.

SPECIFICATIONS

Model:	DUH501	DUH601	DUH751
Blade length	500 mm (19-3/4")	600 mm (23-5/8")	750 mm (29-1/2")
Strokes per minute	0 - 2,000 / 0 - 3,600 / 0 - 4,400/min		
Overall length	1,016 mm (40")	1,121 mm (44-1/4")	1,261 mm (49-1/2")
Rated voltage	D.C. 18 V		
Net weight	3.8 - 4.5 kg (8.4 - 9.8 lbs)		

Model:	DUH502	DUH602	DUH752
Blade length	500 mm (19-3/4")	600 mm (23-5/8")	750 mm (29-1/2")
Strokes per minute	0 - 2,000 / 0 - 3,600 / 0 - 4,400/min		
Overall length	1,016 mm (40")	1,121 mm (44-1/4")	1,261 mm (49-1/2")
Rated voltage	D.C. 18 V		
Net weight	3.8 - 4.5 kg (8.4 - 9.8 lbs)		

- Due to our continuing program of research and development, the specifications herein are subject to change without notice.
- Specifications may differ from country to country.
- The weight may differ depending on the attachment(s), including the battery cartridge. The lightest and heaviest combination, according to EPTA-Procedure 01/2014, are shown in the table.

Applicable battery cartridge and charger

Battery cartridge	BL1815N / BL1820B / BL1830B / BL1840B / BL1850B / BL1860B
Charger	DC18RC / DC18RD / DC18RE / DC18SD / DC18SE / DC18SF / DC18SH / DC18WC

- Some of the battery cartridges and chargers listed above may not be available depending on your region of residence.

⚠WARNING: Only use the battery cartridges and chargers listed above. Use of any other battery cartridges and chargers may cause injury and/or fire.

Recommended cord connected power source

Portable power pack	PDC01
---------------------	-------

- The cord connected power source(s) listed above may not be available depending on your region of residence.
- Before using the cord connected power source, read instruction and cautionary markings on them.

SAFETY WARNINGS

General power tool safety warnings

⚠WARNING: Read all safety warnings, instructions, illustrations and specifications provided with this power tool. Failure to follow all instructions listed below may result in electric shock, fire and/or serious injury.

Save all warnings and instructions for future reference.

The term "power tool" in the warnings refers to your mains-operated (corded) power tool or battery-operated (cordless) power tool.

Work area safety

1. **Keep work area clean and well lit.** Cluttered or dark areas invite accidents.
2. **Do not operate power tools in explosive atmospheres, such as in the presence of flammable liquids, gases or dust.** Power tools create sparks which may ignite the dust or fumes.
3. **Keep children and bystanders away while operating a power tool.** Distractions can cause you to lose control.

Electrical Safety

1. **Power tool plugs must match the outlet. Never modify the plug in any way. Do not use any adapter plugs with earthed (grounded) power tools.** Unmodified plugs and matching outlets will reduce risk of electric shock.

2. **Avoid body contact with earthed or grounded surfaces, such as pipes, radiators, ranges and refrigerators.** There is an increased risk of electric shock if your body is earthed or grounded.
3. **Do not expose power tools to rain or wet conditions.** Water entering a power tool will increase the risk of electric shock.
4. **Do not abuse the cord. Never use the cord for carrying, pulling or unplugging the power tool. Keep cord away from heat, oil, sharp edges or moving parts.** Damaged or entangled cords increase the risk of electric shock.
5. **When operating a power tool outdoors, use an extension cord suitable for outdoor use.** Use of a cord suitable for outdoor use reduces the risk of electric shock.
6. **If operating a power tool in a damp location is unavoidable, use a ground fault circuit interrupter (GFCI) protected supply.** Use of a GFCI reduces the risk of electric shock.
7. **Power tools can produce electromagnetic fields (EMF) that are not harmful to the user.** However, users of pacemakers and other similar medical devices should contact the maker of their device and/or doctor for advice before operating this power tool.

Personal Safety

1. **Stay alert, watch what you are doing and use common sense when operating a power tool. Do not use a power tool while you are tired or under the influence of drugs, alcohol or medication.** A moment of inattention while operating power tools may result in serious personal injury.
2. **Use personal protective equipment. Always wear eye protection.** Protective equipment such as dust mask, non-skid safety shoes, hard hat, or hearing protection used for appropriate conditions will reduce personal injuries.
3. **Prevent unintentional starting. Ensure the switch is in the off-position before connecting to power source and/or battery pack, picking up or carrying the tool.** Carrying power tools with your finger on the switch or energising power tools that have the switch on invites accidents.
4. **Remove any adjusting key or wrench before turning the power tool on.** A wrench or a key left attached to a rotating part of the power tool may result in personal injury.
5. **Do not overreach. Keep proper footing and balance at all times.** This enables better control of the power tool in unexpected situations.
6. **Dress properly. Do not wear loose clothing or jewellery. Keep your hair, clothing and gloves away from moving parts.** Loose clothes, jewellery or long hair can be caught in moving parts.
7. **If devices are provided for the connection of dust extraction and collection facilities, ensure these are connected and properly used.** Use of dust collection can reduce dust-related hazards.
8. **Do not let familiarity gained from frequent use of tools allow you to become complacent and ignore tool safety principles.** A careless action can cause severe injury within a fraction of a second.

9. **Always wear protective goggles to protect your eyes from injury when using power tools. The goggles must comply with ANSI Z87.1 in the USA. It is an employer's responsibility to enforce the use of appropriate safety protective equipment by the tool operators and by other persons in the immediate working area.**

Power tool use and care

1. **Do not force the power tool. Use the correct power tool for your application.** The correct power tool will do the job better and safer at the rate for which it was designed.
2. **Do not use the power tool if the switch does not turn it on and off.** Any power tool that cannot be controlled with the switch is dangerous and must be repaired.
3. **Disconnect the plug from the power source and/or remove the battery pack, if detachable, from the power tool before making any adjustments, changing accessories, or storing power tools.** Such preventive safety measures reduce the risk of starting the power tool accidentally.
4. **Store idle power tools out of the reach of children and do not allow persons unfamiliar with the power tool or these instructions to operate the power tool.** Power tools are dangerous in the hands of untrained users.
5. **Maintain power tools and accessories. Check for misalignment or binding of moving parts, breakage of parts and any other condition that may affect the power tool's operation. If damaged, have the power tool repaired before use.** Many accidents are caused by poorly maintained power tools.
6. **Keep cutting tools sharp and clean.** Properly maintained cutting tools with sharp cutting edges are less likely to bind and are easier to control.
7. **Use the power tool, accessories and tool bits etc. in accordance with these instructions, taking into account the working conditions and the work to be performed.** Use of the power tool for operations different from those intended could result in a hazardous situation.
8. **Keep handles and grasping surfaces dry, clean and free from oil and grease.** Slippery handles and grasping surfaces do not allow for safe handling and control of the tool in unexpected situations.
9. **When using the tool, do not wear cloth work gloves which may be entangled.** The entanglement of cloth work gloves in the moving parts may result in personal injury.

Battery tool use and care

1. **Recharge only with the charger specified by the manufacturer.** A charger that is suitable for one type of battery pack may create a risk of fire when used with another battery pack.
2. **Use power tools only with specifically designated battery packs.** Use of any other battery packs may create a risk of injury and fire.
3. **When battery pack is not in use, keep it away from other metal objects, like paper clips, coins, keys, nails, screws or other small metal objects, that can make a connection from one terminal to another.** Shorting the battery terminals together may cause burns or a fire.

4. **Under abusive conditions, liquid may be ejected from the battery; avoid contact. If contact accidentally occurs, flush with water. If liquid contacts eyes, additionally seek medical help.** Liquid ejected from the battery may cause irritation or burns.
5. **Do not use a battery pack or tool that is damaged or modified.** Damaged or modified batteries may exhibit unpredictable behaviour resulting in fire, explosion or risk of injury.
6. **Do not expose a battery pack or tool to fire or excessive temperature.** Exposure to fire or temperature above 130 °C may cause explosion.
7. **Follow all charging instructions and do not charge the battery pack or tool outside the temperature range specified in the instructions.** Charging improperly or at temperatures outside the specified range may damage the battery and increase the risk of fire.
8. **Use the hedge trimmer only if you are in good physical condition.** If you are tired, your attention will be reduced. Be especially careful at the end of a working day. Perform all work calmly and carefully. The user is responsible for all damages to third parties.
9. **Never use the trimmer when under the influence of alcohol, drugs or medication.**
10. **Work gloves of stout leather are part of the basic equipment of the hedge trimmer and must always be worn when working with it. Also wear sturdy shoes with anti-skid soles.**
11. **Before starting work check to make sure that the trimmer is in good and safe working order. Ensure guards are fitted properly. The hedge trimmer must not be used unless fully assembled.**
12. **Make sure you have a secure footing before starting operation.**
13. **Hold the tool firmly when using the tool.**
14. **Do not operate the tool at no-load unnecessarily.**
15. **Immediately switch off the motor and remove the battery cartridge if the cutter should come into contact with a fence or other hard object. Check the cutter for damage, and if damaged repair immediately.**
16. **Before checking the cutter, taking care of faults, or removing material caught in the cutter, always switch off the trimmer and remove the battery cartridge.**
17. **Switch off the trimmer and remove the battery cartridge before doing any maintenance work.**
18. **When moving the hedge trimmer to another location, including during work, always remove the battery cartridge and put the blade cover on the cutter blades. Never carry or transport the trimmer with the cutter running. Never grasp the cutter with your hands.**
19. **Clean the hedge trimmer and especially the cutter after use, and before putting the trimmer into storage for extended periods. Lightly oil the cutter and put on the cover. The cover supplied with the unit can be hung on the wall, providing a safe and practical way to store the hedge trimmer.**
20. **Store the hedge trimmer with the cover on, in a dry room. Keep it out of reach of children. Never store the trimmer outdoors.**
21. **Never point the shear blades to yourself or others.**
22. **If the blades stop moving due to the stuck of foreign objects between the blades during operation, switch off the tool and remove the battery cartridge, and then remove the foreign objects using tools such as pliers. Removing the foreign objects by hand may cause an injury for the reason that the blades may move in reaction to removing the foreign objects.**
23. **Avoid dangerous environment. Don't use the tool in damp or wet locations or expose it to rain. Water entering the tool will increase the risk of electric shock.**
24. **Do not dispose of the battery(ies) in a fire. The cell may explode. Check with local codes for possible special disposal instructions.**

Service

1. **Have your power tool serviced by a qualified repair person using only identical replacement parts.** This will ensure that the safety of the power tool is maintained.
2. **Never service damaged battery packs.** Service of battery packs should only be performed by the manufacturer or authorized service providers.
3. **Follow instruction for lubricating and changing accessories.**
4. **Do not modify or attempt to repair the appliance or the battery pack except as indicated in the instructions for use and care.**

Cordless Hedge Trimmer Safety Warnings

1. **Keep all parts of the body away from the cutter blade. Do not remove cut material or hold material to be cut when blades are moving. Make sure the switch is off when clearing jammed material. Blades coast after turn off.** A moment of inattention while operating the hedge trimmer may result in serious personal injury.
2. **Carry the hedge trimmer by the handle with the cutter blade stopped.** Proper handling of the hedge trimmer will reduce possible personal injury from the cutter blades.
3. **Hold the power tool by insulated gripping surfaces only, because the cutter blade may contact hidden wiring.** Cutter blades contacting a "live" wire may make exposed metal parts of the power tool "live" and could give the operator an electric shock.
4. **DANGER - Keep hands away from blade.** Contact with blade will result in serious personal injury.
5. **Do not use the hedge trimmer in the rain or in wet or very damp conditions.** The electric motor is not waterproof.
6. **First-time users should have an experienced hedge trimmer user show them how to use the trimmer.**
7. **The hedge trimmer must not be used by children or young persons under 18 years of age.** Young persons over 16 years of age may be exempted from this restriction if they are undergoing training under the supervision of an expert.
8. **Use the hedge trimmer only if you are in good physical condition.** If you are tired, your attention will be reduced. Be especially careful at the end of a working day. Perform all work calmly and carefully. The user is responsible for all damages to third parties.
9. **Never use the trimmer when under the influence of alcohol, drugs or medication.**
10. **Work gloves of stout leather are part of the basic equipment of the hedge trimmer and must always be worn when working with it. Also wear sturdy shoes with anti-skid soles.**
11. **Before starting work check to make sure that the trimmer is in good and safe working order. Ensure guards are fitted properly. The hedge trimmer must not be used unless fully assembled.**
12. **Make sure you have a secure footing before starting operation.**
13. **Hold the tool firmly when using the tool.**
14. **Do not operate the tool at no-load unnecessarily.**
15. **Immediately switch off the motor and remove the battery cartridge if the cutter should come into contact with a fence or other hard object. Check the cutter for damage, and if damaged repair immediately.**
16. **Before checking the cutter, taking care of faults, or removing material caught in the cutter, always switch off the trimmer and remove the battery cartridge.**
17. **Switch off the trimmer and remove the battery cartridge before doing any maintenance work.**
18. **When moving the hedge trimmer to another location, including during work, always remove the battery cartridge and put the blade cover on the cutter blades. Never carry or transport the trimmer with the cutter running. Never grasp the cutter with your hands.**
19. **Clean the hedge trimmer and especially the cutter after use, and before putting the trimmer into storage for extended periods. Lightly oil the cutter and put on the cover. The cover supplied with the unit can be hung on the wall, providing a safe and practical way to store the hedge trimmer.**
20. **Store the hedge trimmer with the cover on, in a dry room. Keep it out of reach of children. Never store the trimmer outdoors.**
21. **Never point the shear blades to yourself or others.**
22. **If the blades stop moving due to the stuck of foreign objects between the blades during operation, switch off the tool and remove the battery cartridge, and then remove the foreign objects using tools such as pliers. Removing the foreign objects by hand may cause an injury for the reason that the blades may move in reaction to removing the foreign objects.**
23. **Avoid dangerous environment. Don't use the tool in damp or wet locations or expose it to rain. Water entering the tool will increase the risk of electric shock.**
24. **Do not dispose of the battery(ies) in a fire. The cell may explode. Check with local codes for possible special disposal instructions.**

25. Do not open or mutilate the battery(ies). Released electrolyte is corrosive and may cause damage to the eyes or skin. It may be toxic if swallowed.
26. Do not charge battery in rain, or in wet locations.
27. Check the hedges and bushes for foreign objects, such as wire fences or hidden wiring before operating the tool.

SAVE THESE INSTRUCTIONS.

⚠ WARNING: DO NOT let comfort or familiarity with product (gained from repeated use) replace strict adherence to safety rules for the subject product. MISUSE or failure to follow the safety rules stated in this instruction manual may cause serious personal injury.

⚠ WARNING: Use of this product can create dust containing chemicals which may cause respiratory or other illnesses. Some examples of these chemicals are compounds found in pesticides, insecticides, fertilizers and herbicides.

Your risk from these exposures varies, depending on how often you do this type of work. To reduce your exposure to these chemicals: work in a well ventilated area, and work with approved safety equipment, such as those dust masks that are specially designed to filter out microscopic particles.

Symbols

The followings show the symbols used for tool.

V	volts
— — —	direct current
n ₀	no load speed
... /min r /min	revolutions or reciprocation per minute

Important safety instructions for battery cartridge

1. Before using battery cartridge, read all instructions and cautionary markings on (1) battery charger, (2) battery, and (3) product using battery.
2. Do not disassemble or tamper with the battery cartridge. It may result in a fire, excessive heat, or explosion.
3. If operating time has become excessively shorter, stop operating immediately. It may result in a risk of overheating, possible burns and even an explosion.
4. If electrolyte gets into your eyes, rinse them out with clear water and seek medical attention right away. It may result in loss of your eyesight.

5. Do not short the battery cartridge:
 - (1) Do not touch the terminals with any conductive material.
 - (2) Avoid storing battery cartridge in a container with other metal objects such as nails, coins, etc.
 - (3) Do not expose battery cartridge to water or rain.

A battery short can cause a large current flow, overheating, possible burns and even a breakdown.

6. Do not store and use the tool and battery cartridge in locations where the temperature may reach or exceed 50 °C (122 °F).
7. Do not incinerate the battery cartridge even if it is severely damaged or is completely worn out. The battery cartridge can explode in a fire.
8. Do not nail, cut, crush, throw, drop the battery cartridge, or hit against a hard object to the battery cartridge. Such conduct may result in a fire, excessive heat, or explosion.
9. Do not use a damaged battery.
10. The contained lithium-ion batteries are subject to the Dangerous Goods Legislation requirements.

For commercial transports e.g. by third parties, forwarding agents, special requirement on packaging and labeling must be observed. For preparation of the item being shipped, consulting an expert for hazardous material is required. Please also observe possibly more detailed national regulations.

Tape or mask off open contacts and pack up the battery in such a manner that it cannot move around in the packaging.

11. When disposing the battery cartridge, remove it from the tool and dispose of it in a safe place. Follow your local regulations relating to disposal of battery.
12. Use the batteries only with the products specified by Makita. Installing the batteries to non-compliant products may result in a fire, excessive heat, explosion, or leak of electrolyte.
13. If the tool is not used for a long period of time, the battery must be removed from the tool.
14. During and after use, the battery cartridge may take on heat which can cause burns or low temperature burns. Pay attention to the handling of hot battery cartridges.
15. Do not touch the terminal of the tool immediately after use as it may get hot enough to cause burns.
16. Do not allow chips, dust, or soil stuck into the terminals, holes, and grooves of the battery cartridge. It may cause heating, catching fire, burst and malfunction of the tool or battery cartridge, resulting in burns or personal injury.
17. Unless the tool supports the use near high-voltage electrical power lines, do not use the battery cartridge near high-voltage electrical power lines. It may result in a malfunction or breakdown of the tool or battery cartridge.
18. Keep the battery away from children.

SAVE THESE INSTRUCTIONS.

CAUTION: Only use genuine Makita batteries. Use of non-genuine Makita batteries, or batteries that have been altered, may result in the battery bursting causing fires, personal injury and damage. It will also void the Makita warranty for the Makita tool and charger.

Tips for maintaining maximum battery life

1. Charge the battery cartridge before completely discharged. Always stop tool operation and charge the battery cartridge when you notice less tool power.
2. Never recharge a fully charged battery cartridge. Overcharging shortens the battery service life.
3. Charge the battery cartridge with room temperature at 10 °C - 40 °C (50 °F - 104 °F). Let a hot battery cartridge cool down before charging it.
4. When not using the battery cartridge, remove it from the tool or the charger.
5. Charge the battery cartridge if you do not use it for a long period (more than six months).

FUNCTIONAL DESCRIPTION

CAUTION: Always be sure that the tool is switched off and the battery cartridge is removed before adjusting or checking function on the tool.

Installing or removing battery cartridge

CAUTION: Always switch off the tool before installing or removing of the battery cartridge.

CAUTION: Hold the tool and the battery cartridge firmly when installing or removing battery cartridge. Failure to hold the tool and the battery cartridge firmly may cause them to slip off your hands and result in damage to the tool and battery cartridge and a personal injury.

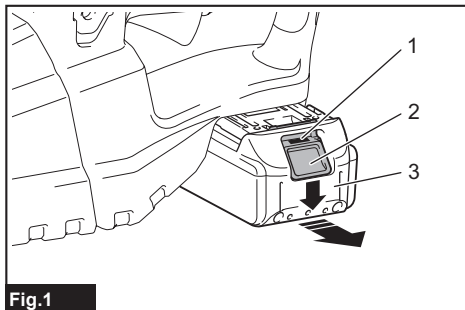


Fig.1

► 1. Red indicator 2. Button 3. Battery cartridge

To remove the battery cartridge, slide it from the tool while sliding the button on the front of the cartridge.

To install the battery cartridge, align the tongue on the battery cartridge with the groove in the housing and slip it into place. Insert it all the way until it locks in place with a little click. If you can see the red indicator as shown in the figure, it is not locked completely.

CAUTION: Always install the battery cartridge fully until the red indicator cannot be seen. If not, it may accidentally fall out of the tool, causing injury to you or someone around you.

CAUTION: Do not install the battery cartridge forcibly. If the cartridge does not slide in easily, it is not being inserted correctly.

Indicating the remaining battery capacity

Only for battery cartridges with the indicator

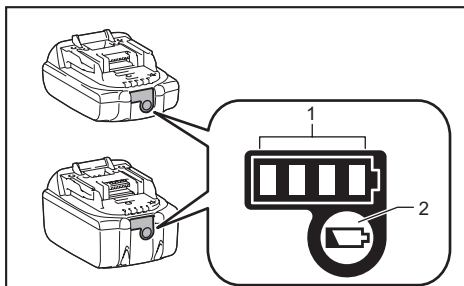


Fig.2

► 1. Indicator lamps 2. Check button

Press the check button on the battery cartridge to indicate the remaining battery capacity. The indicator lamps light up for a few seconds.



















Indicator lamps			Remaining capacity
Lighted	Off	Blinking	
■ ■ ■ ■			75% to 100%
■ ■ ■ □			50% to 75%
■ ■ □ □			25% to 50%
■ □ □ □			0% to 25%
▣ □ □ □			Charge the battery.
■ ■ □ □			The battery may have malfunctioned.
□ □ ■ ■	↑ ↓		

NOTE: Depending on the conditions of use and the ambient temperature, the indication may differ slightly from the actual capacity.


NOTE: The first (far left) indicator lamp will blink when the battery protection system works.

Tool / battery protection system

The tool is equipped with a tool/battery protection system. This system automatically cuts off power to the motor to extend tool and battery life. The tool will automatically stop during operation if the tool or battery is placed under one of the following conditions:

Status	Indicator lamps		
	■ On	□ Off	■ Blinking
Overload		   	
Overheat	   	   	
Over discharge		     	


Overload protection

If the tool is overloaded by entangled branches or other debris,  and the middle indicators start blinking and the tool automatically stops.

In this situation, turn the tool off and stop the application that caused the tool to become overloaded. Then turn the tool on to restart.


NOTICE: Depending on the usage conditions, the tool is automatically turned off without any indication if the tool is overloaded by entangled branches or debris. In this case, switch off the tool and remove the battery cartridge, and then remove entangled branches or debris using tools such as pliers. After removing the branches or debris, install the battery cartridge and turn on the tool again.

Overheat protection for tool or battery

There are two types of overheating; tool overheating and battery overheating. When the tool over heating occurs, all speed indicators blink. When the battery over heating occurs,  indicator blinks.

If the overheating occurs, the tool stops automatically. Let the tool and/or battery cool down before turning the tool on again.

Overdischarge protection

When the battery capacity becomes low, the tool stops automatically and  indicator blinks.

If the tool does not operate even when the switches are operated, remove the battery from the tool and charge the battery.

Angle setting of the handle

CAUTION: Always make sure that the handle is locked in the desired position before operation.

CAUTION: Do not pull down the lever to unlock the handle while pulling the switch trigger. Do not pull the switch trigger while pulling down the lever and turning the handle. Failure to do so may cause a malfunction of the tool.

You can set the angle of the handle to 0°, 45°, or 90° to the left or right. To change the angle of the handle, turn the handle while pulling down the lever, and then release the lever.

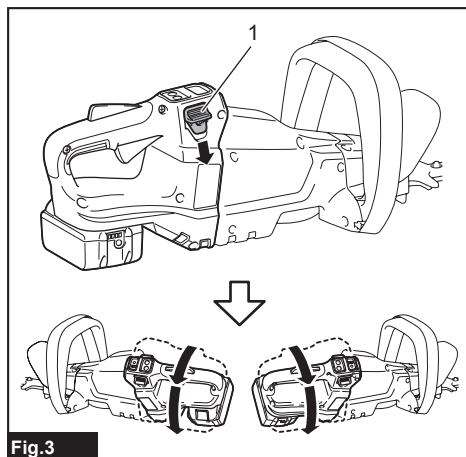


Fig.3

▶ 1. Lever

Power switch action

WARNING: For your safety, this tool is equipped with lock-off lever which prevents the tool from unintended starting. NEVER use the tool if it runs when you simply press the switch lever and pull the switch trigger without pressing the lock-off lever. Return the tool to our authorized service center for proper repairs BEFORE further usage.

WARNING: NEVER tape down or defeat purpose and function of lock-off lever.

WARNING: Before installing the battery cartridge on the tool, always check to see that the switch trigger and switch lever actuate properly and return to the "OFF" position when released. Operating a tool with a switch that does not actuate properly can lead to loss of control and serious personal injury.

CAUTION: Never put your finger on the switch when carrying. The tool may start unintentionally and cause injury.

NOTICE: Do not pull the switch trigger hard without pressing the lock-off lever. This can cause switch breakage.

Press the main power button to turn on the tool. The power lamp lights up when the tool is turned on. To turn off the tool, press and hold the main power button. The power lamp goes off when the tool is turned off.

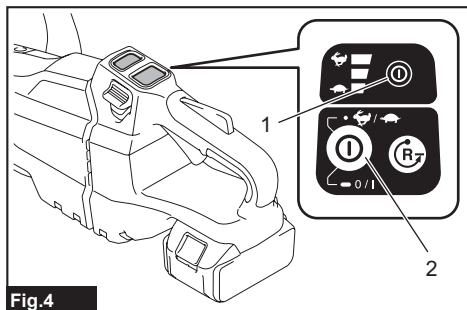


Fig.4

► 1. Power lamp 2. Main power button

NOTE: The tool is automatically turned off if the tool is not operated for a certain period.

To prevent the switch trigger from being accidentally pulled, a lock-off lever is provided. To start the tool, depress the lock-off lever, and then press the switch lever and pull the switch trigger. The tool speed increases by increasing pressure on the switch trigger. Release the switch trigger to stop.

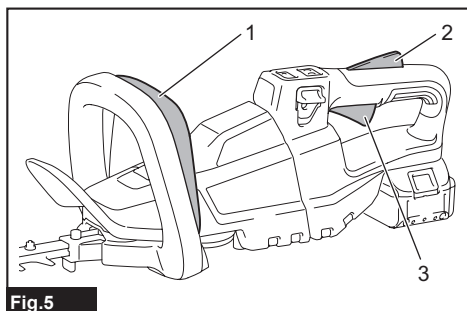


Fig.5

► 1. Switch lever 2. Lock-off lever 3. Switch trigger

Speed adjusting

You can adjust the tool speed by tapping the main power button. Each time you tap the main power button, the level of speed will change.

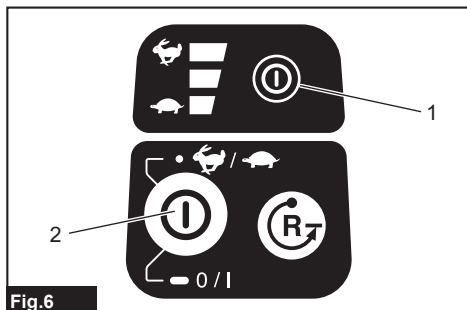


Fig.6

► 1. Power lamp 2. Main power button

Indicator	Mode	Stroke speed
	High	4,400/min
	Medium	3,600/min
	Low	2,000/min

Reverse button for debris removal

⚠WARNING: If the entangled branches or debris cannot be removed by the reverse function, switch off the tool and remove the battery cartridge, and then remove the entangled branches or debris using tools such as pliers. Failure to switch off the tool and remove the battery cartridge may result in serious personal injury from accidental start-up. Removing the entangled branches or debris by hand may cause an injury, since the shear blades may move in reaction to removing them.

This tool has a reverse button to change the direction of shear blades movement. It is only for removing branches and debris entangled in the tool.

To reverse the shear blades movement, tap the reverse button when the shear blades have stopped, then press the switch lever and pull the switch trigger while pressing the lock-off lever. The power lamp starts blinking, and the shear blades move in reverse direction.

When entangled branches and debris are removed, the tool returns to the regular movement and the power lamp stops blinking and lights up.

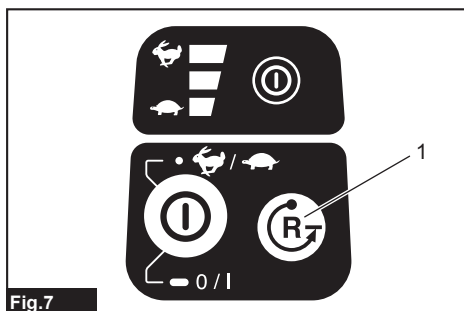


Fig.7

► 1. Reverse button

NOTE: If the entangled branches or debris cannot be removed, release and pull the switch trigger until they are removed.

NOTE: If you tap the reverse button while the shear blades are still moving, the tool comes to stop and to be ready for reverse movement.

Electric brake

This tool is equipped with an electric brake. If the tool consistently fails to quickly stop after the switch trigger is released, have the tool serviced at a Makita service center.

ASSEMBLY

⚠ CAUTION: Always be sure that the tool is switched off and the battery cartridge is removed before carrying out any work on the tool.

⚠ CAUTION: When replacing the shear blades, always wear gloves so that your hands do not directly contact the blades.

NOTICE: When replacing the shear blades, do not wipe off grease from the gear and crank.

Installing or removing the shear blades

⚠ CAUTION: Attach the blade cover before removing or installing the shear blades.

You can install 500 mm (19-3/4"), 600 mm (23-5/8"), or 750 mm (29-1/2") shear blades to your tool.

1. Place the tool upside down, and then remove 6 bolts.

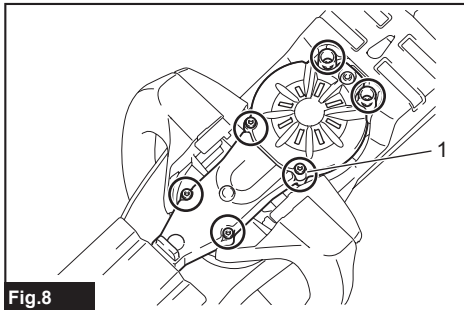


Fig.8

- 1. Bolt

2. Remove the cover and the plate.

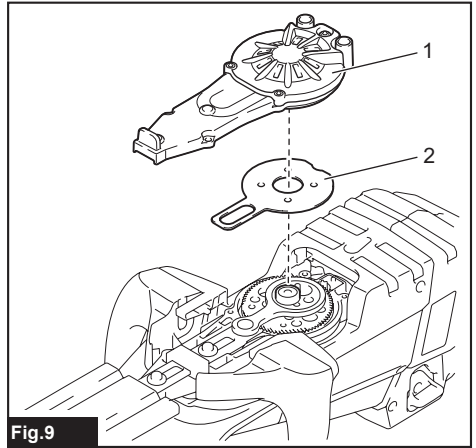


Fig.9

- 1. Cover 2. Plate

NOTE: The plate may remain on the cover.

3. Remove the rod.

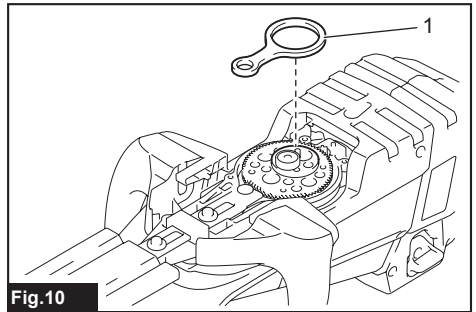


Fig.10

- 1. Rod

NOTE: The rod may remain on the cover.

4. Remove 2 screws, the felt pad and the sleeves, and then remove the shear blades.

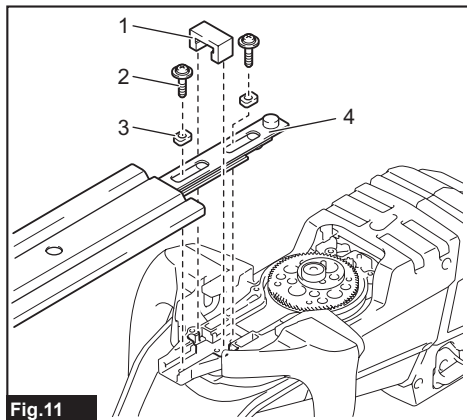


Fig.11

- 1. Felt pad 2. Screw 3. Sleeve 4. Shear blades

5. Remove the blade cover, and then attach it to the new shear blades.

6. Adjust the crank so that 2 holes are lined up on the alignment line.

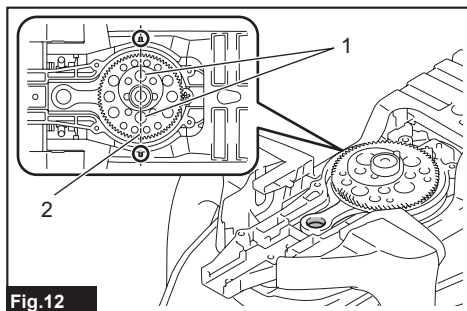


Fig.12

- 1. Hole 2. Alignment line

7. Align the protrusions on the shear blades vertically at the same position.

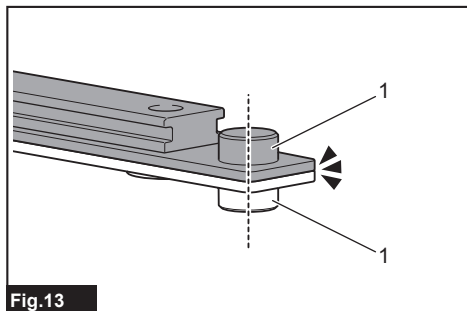


Fig.13

- 1. Protrusion

8. Attach the felt pad to the shear blades.

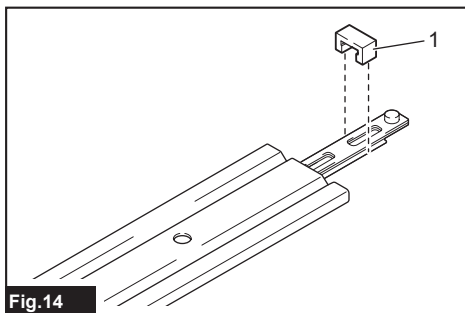


Fig.14

- 1. Felt pad

9. Insert the protrusion on the shear blades to the hole on the rod, then align the position of the felt pad with the holes on the tool, and then attach new sleeves.

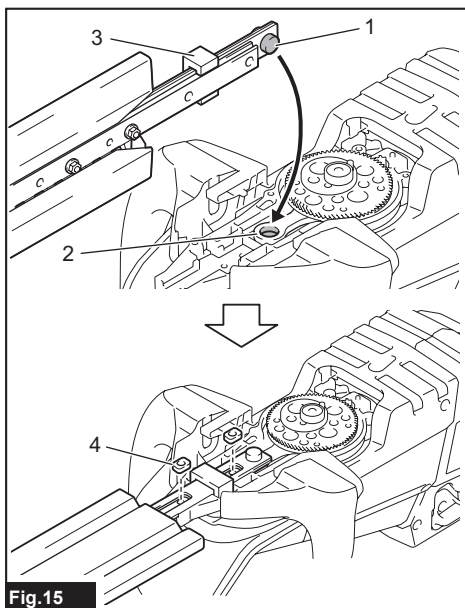


Fig.15

- 1. Protrusion 2. Hole 3. Felt pad 4. Sleeve

NOTICE: Apply a small amount of grease to the inner periphery of the hole of the rod.

NOTICE: Be careful not to lose the sleeves.

10. Align the holes on the shear blades with the holes on the tool, and then tighten 2 screws to fix the shear blades.

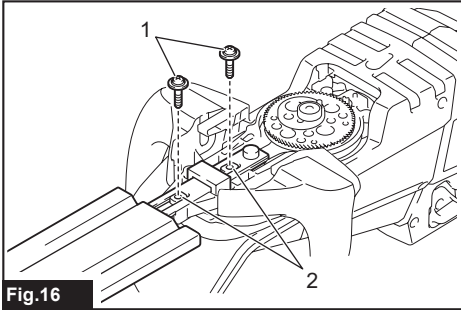


Fig.16
▶ 1. Screw 2. Hole

11. Attach the rod.

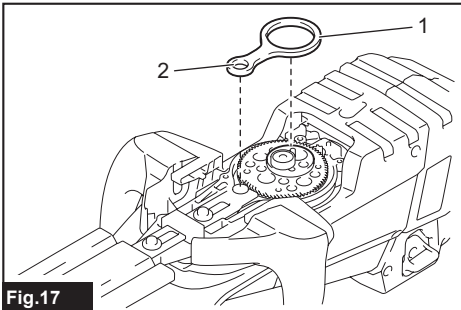


Fig.17
▶ 1. Rod 2. Small hole

NOTICE: Apply a small amount of grease to the inner periphery of the small hole of the rod.

NOTICE: Make sure that the protrusion on the shear blades fits in the small hole on the rod.

12. Attach the plate.

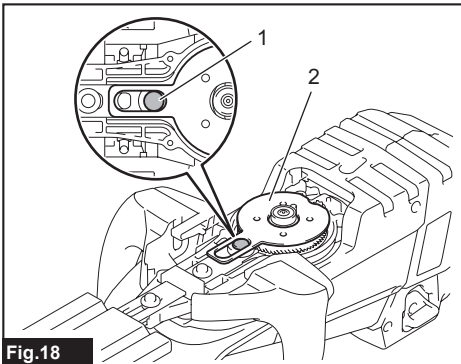


Fig.18
▶ 1. Protrusion 2. Plate

NOTICE: Make sure that the protrusion on the shear blades fits in the hole on the plate.

13. Attach the cover, and then tighten 6 bolts.

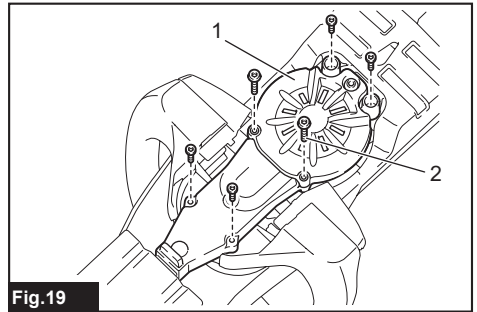


Fig.19
▶ 1. Cover 2. Bolt

NOTICE: Be sure to attach 2 long screws to the center holes.

NOTICE: If the shear blades do not move smoothly, the shear blades are not engaged with the rods properly. Install the shear blades again.

NOTICE: If the parts other than the shear blades such as the rods are worn out, ask Makita Authorized Service Centers for parts replacement or repairs.

Installing or removing the chip receiver

Optional accessory

CAUTION: When installing or removing the chip receiver, always wear gloves so that your hands do not directly contact the shear blades.

NOTICE: The blade cover cannot be installed if the chip receiver is installed on the tool. Before carrying or storing the tool, uninstall the chip receiver, and then install the blade cover to avoid blade exposure.

NOTICE: Be sure to remove the blade cover before installing the chip receiver.

The chip receiver gathers discarded leaves and makes clean-up afterward much easier. It can be installed on either side of the tool.

Type1

To install the chip receiver, align the tip of the shear blades with the tip of the chip receiver, and then press the chip receiver against the shear blades so that the hooks fit into the grooves on the shear blades.

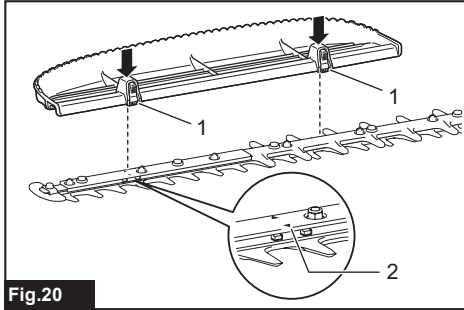


Fig.20

► 1. Hook 2. Arrow mark

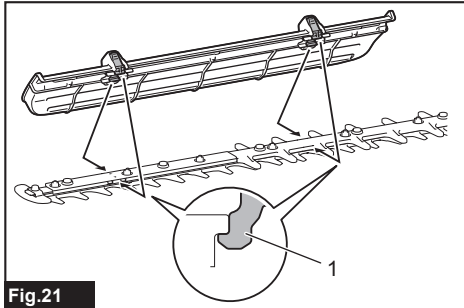


Fig.21

► 1. Hook

NOTICE: Make sure that the chip receiver does not overlap the branch catcher.

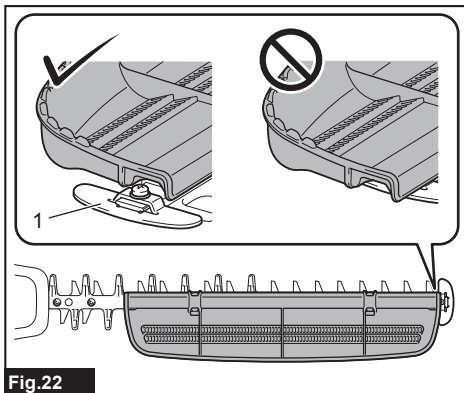


Fig.22

► 1. Branch catcher

To remove the chip receiver, press the levers on both sides to release the hooks.

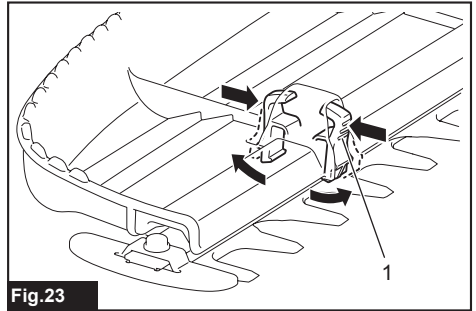


Fig.23

► 1. Lever

Type2

1. Hook the claws of the chip receiver to the shear blades.

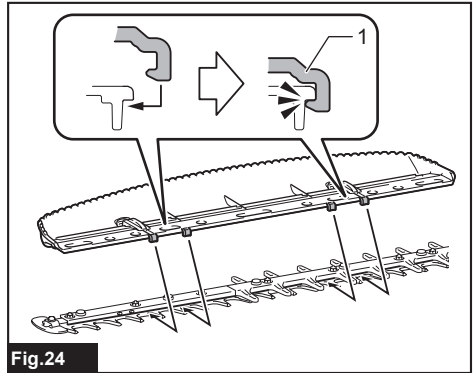


Fig.24

► 1. Claw

2. Align the holes on the chip receiver with the screws on the shear blades, and then attach the chip receiver to the shear blades securely.

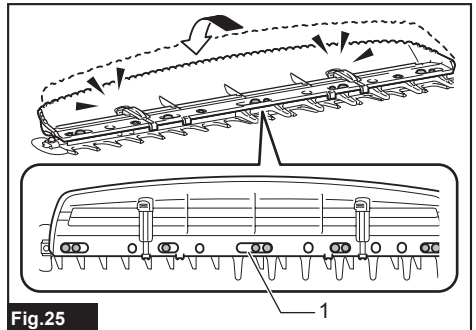


Fig.25

► 1. Hole

NOTICE: Make sure that the chip receiver does not overlap the branch catcher.

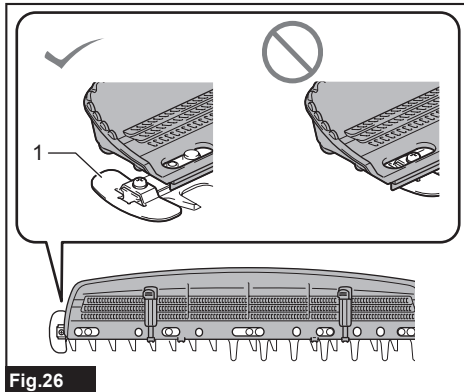


Fig.26

► 1. Branch catcher

To remove the chip receiver, press the levers to release the claws.

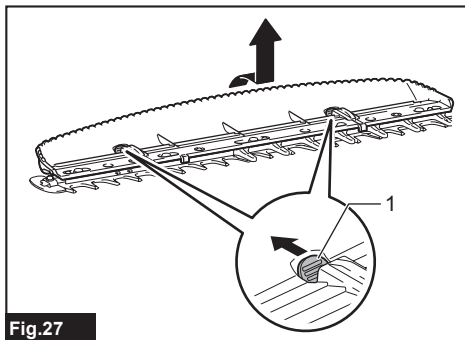


Fig.27

► 1. Lever

NOTICE: Never try to remove the chip receiver by an excessive force with its hooks locked in the grooves of the shear blades.

OPERATION

⚠WARNING: Keep hands away from shear blades.

⚠CAUTION: Avoid operating the tool in very hot weather as much as practicable. When operating the tool, be careful of your physical condition.

⚠CAUTION: Be careful not to accidentally contact a metal fence or other hard objects while trimming. The shear blades may break and cause an injury.

⚠CAUTION: Be careful not to allow the shear blades to contact the ground. The tool may recoil and cause an injury.

⚠CAUTION: Overreaching with a hedge trimmer, particularly from a ladder, is extremely dangerous. Do not work while standing on anything wobbly or infirm.

NOTICE: Do not attempt to cut branches thicker than 10 mm (3/8") in diameter with the tool. Cut branches to 10 cm (4") lower than the cutting height using branch cutters before using the tool.

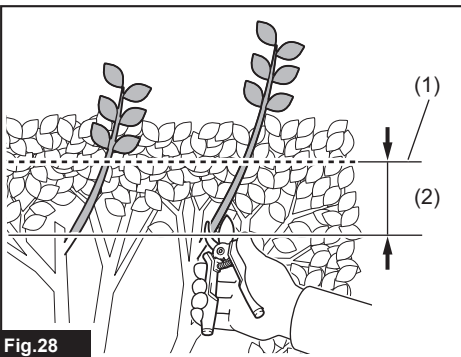


Fig.28

► (1) Cutting height (2) 10 cm (4")

NOTICE: Do not cut down dead trees or similar hard objects. Doing so may damage the tool.

NOTICE: Do not trim the grass or weeds while using the shear blades. The shear blades may become tangled in the grass or weeds.

Hold the tool with both hands, press the switch lever and pull the switch trigger while pressing the lock-off lever, and then move it forward.

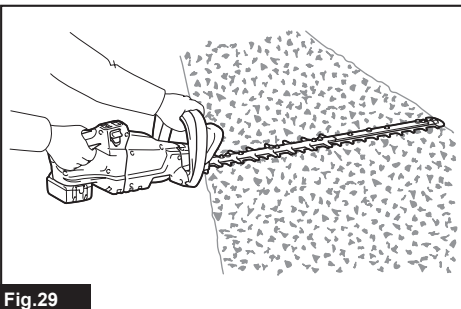


Fig.29

For basic operation, tilt the shear blades toward the trimming direction and move it calmly and slowly at the speed rate of 3 to 4 seconds per meter.

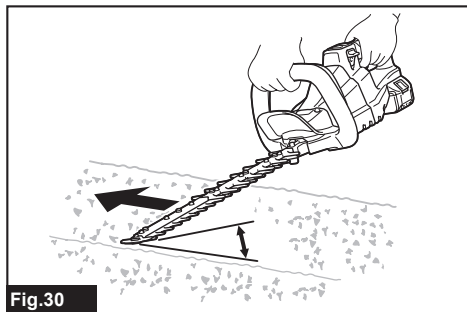


Fig.30

To cut a hedge top evenly, tie a string at the desired height and trim along it.

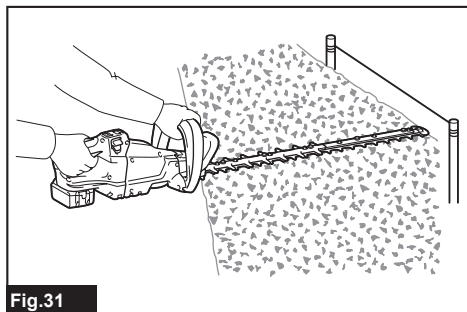


Fig.31

If the chip receiver is attached to the shear blades, it gathers discarded leaves and makes clean-up afterward much easier.

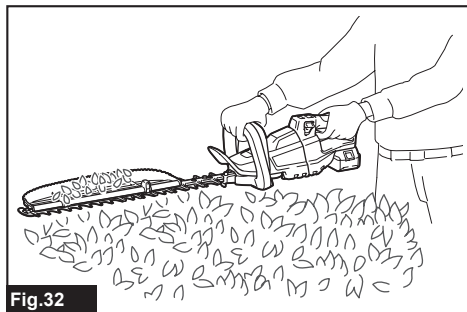


Fig.32

To cut a hedge side evenly, cut from the bottom to top.

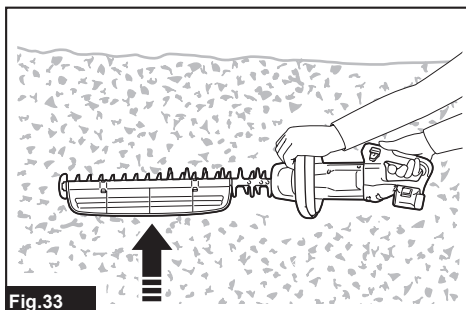


Fig.33

When trimming to make a round shape (trimming boxwood or rhododendron, etc.), trim from the root to the top for a beautiful finish.

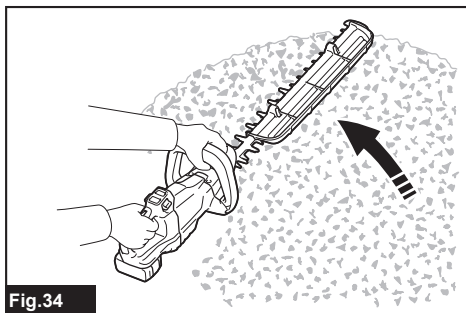


Fig.34

MAINTENANCE

CAUTION: Always be sure that the tool is switched off and the battery cartridge is removed before attempting to perform inspection or maintenance.

To maintain product SAFETY and RELIABILITY, repairs, any other maintenance or adjustment should be performed by Makita Authorized or Factory Service Centers, always using Makita replacement parts.

Cleaning the tool

Clean the tool by wiping off dust with a dry cloth or one dipped in soapy water and wrung out.

NOTICE: Never use gasoline, benzene, thinner, alcohol or the like. Discoloration, deformation or cracks may result.

Shear blade maintenance

Before the operation or once per hour during operation, apply low-viscosity oil (machine oil, or spray-type lubricating oil) to the shear blades.

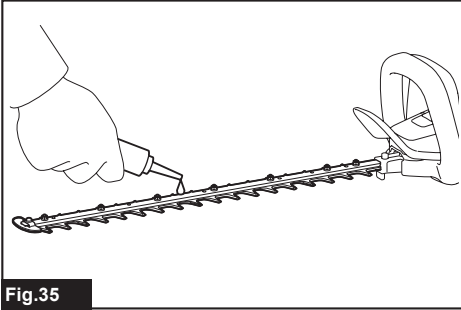


Fig.35

After operation, remove dust from both sides of the shear blades with a wired brush, wipe it off with a cloth and then apply low-viscosity oil (machine oil, or spray-type lubricating oil) to the shear blades.

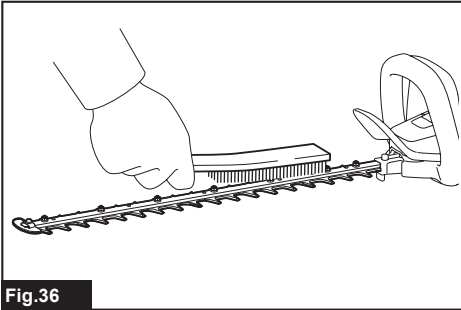


Fig.36

NOTICE: Do not wash the shear blades in water. Doing so may cause rust or damage to the tool.

NOTICE: Dirt and corrosion cause excessive blade friction and shorten the operating time per battery charge.

Storage

The hook hole in the tool bottom is convenient for hanging the tool from a nail or screw on the wall. Attach the blade cover to the shear blades so that the blades are not exposed. Store the tool out of the reach of children. Store the tool in a place not exposed to moisture or rain.

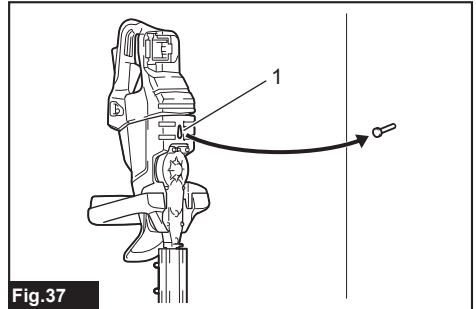


Fig.37

▶ 1. Hole

Grinding the shear blades

NOTICE: If the shear blades have considerably deformed by grinding, replace the shear blades with new ones.

1. Install the battery cartridge to the tool.
2. Turn on and start the tool so that the upper blade and lower blade are positioned alternately.

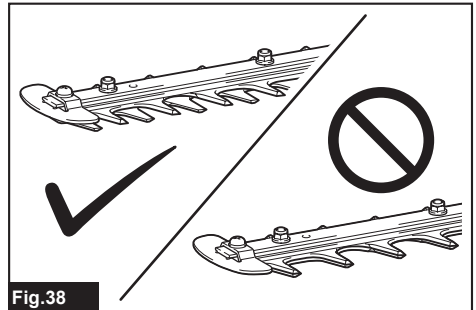


Fig.38

3. Turn off the tool and remove the battery cartridge from the tool.
4. Remove the screw, and then remove the branch catcher.

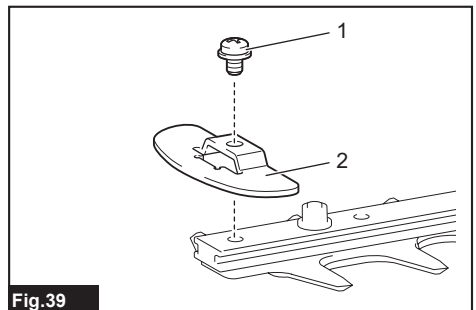


Fig.39

▶ 1. Screw 2. Branch catcher

- Set the angle of a file to 45°, and grind the upper blade from 3 directions with the file.

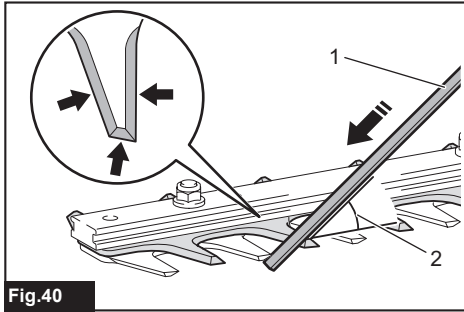


Fig.40

- (1) File (2) 45°

CAUTION: Before grinding the shear blades, make sure that the tool is switched off and the battery cartridge is removed from the tool.

- Place the tool upside down, and then remove the burrs from the shear blades with the dressing stone.

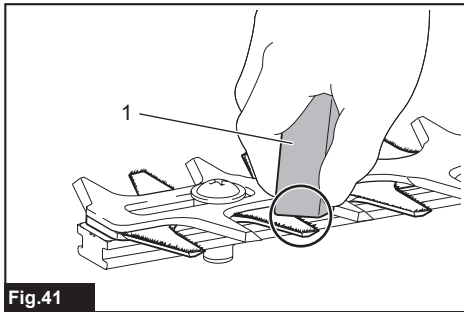


Fig.41

- 1. Dressing stone

- Set the angle of the file to 45°, and grind the lower blade from 3 directions with the file.
- Return the tool to normal position, and then remove the burrs from the shear blades with the dressing stone.
- Attach the branch catcher by tightening the screw.

Grease lubrication

Interval of lubrication: Every 100 operating hours

- Remove 3 bolts, and then remove the bottom cover.

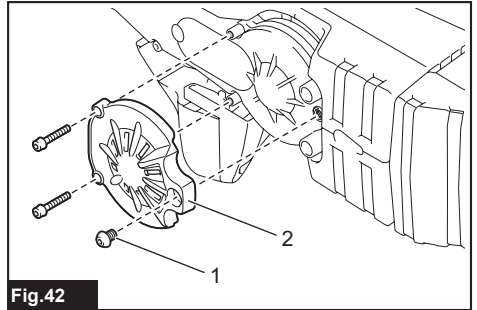


Fig.42

- 1. Bolt 2. Bottom cover

- Remove the cap from the grease vessel, and then attach the grease vessel to the hole on the cover by turning the grease vessel.

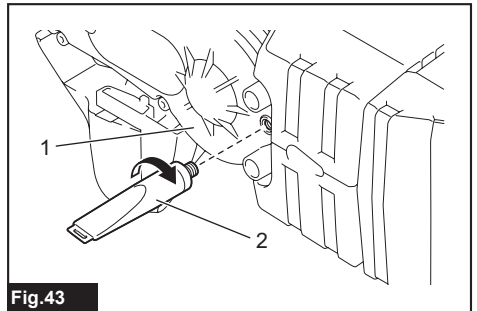


Fig.43

- 1. Cover 2. Grease vessel

- Apply the grease to the tool (Approximately 5 g (0.2 oz) as a guide).
- Remove the grease vessel.
- Attach the bottom cover, and then tighten 3 screws.

OPTIONAL ACCESSORIES

⚠ CAUTION: These accessories or attachments are recommended for use with your Makita tool specified in this manual. The use of any other accessories or attachments might present a risk of injury to persons. Only use accessory or attachment for its stated purpose.

If you need any assistance for more details regarding these accessories, ask your local Makita Service Center.

- Shear blade assembly
- Shear blade cover
- Chip receiver
- Grease vessel
- Makita genuine battery and charger

NOTE: Some items in the list may be included in the tool package as standard accessories. They may differ from country to country.

MAKITA LIMITED WARRANTY

Please refer to the annexed warranty sheet for the most current warranty terms applicable to this product. If annexed warranty sheet is not available, refer to the warranty details set forth at below website for your respective country.

United States of America: www.makitatools.com

Canada: www.makita.ca

Other countries: www.makita.com

SPÉCIFICATIONS

Modèle :	DUH501	DUH601	DUH751
Longueur de lame	500 mm (19-3/4")	600 mm (23-5/8")	750 mm (29-1/2")
Cisaillements par minute	0 - 2 000 / 0 - 3 600 / 0 - 4 400 /min		
Longueur totale	1 016 mm (40")	1 121 mm (44-1/4")	1 261 mm (49-1/2")
Tension nominale	C.C. 18 V		
Poids net	3,8 - 4,5 kg (8,4 - 9,8 lbs)		

Modèle :	DUH502	DUH602	DUH752
Longueur de lame	500 mm (19-3/4")	600 mm (23-5/8")	750 mm (29-1/2")
Cisaillements par minute	0 - 2 000 / 0 - 3 600 / 0 - 4 400 /min		
Longueur totale	1 016 mm (40")	1 121 mm (44-1/4")	1 261 mm (49-1/2")
Tension nominale	C.C. 18 V		
Poids net	3,8 - 4,5 kg (8,4 - 9,8 lbs)		

- Étant donné l'évolution constante de notre programme de recherche et développement, les spécifications contenues dans ce manuel sont sujettes à modification sans préavis.
- Les spécifications peuvent varier d'un pays à l'autre.
- Le poids peut varier selon les accessoires, y compris la batterie. La plus légère et la plus lourde combinaisons, selon la procédure EPTA 01/2014, sont indiquées dans le tableau.

Batteries et chargeurs applicables

Batterie	BL1815N / BL1820B / BL1830B / BL1840B / BL1850B / BL1860B
Chargeur	DC18RC / DC18RD / DC18RE / DC18SD / DC18SE / DC18SF / DC18SH / DC18WC

- Suivant la région où vous habitez, il se peut que certaines des batteries et certains des chargeurs énumérés ci-dessus ne soient pas disponibles.

⚠ MISE EN GARDE : Utilisez exclusivement les batteries et chargeurs énumérés ci-dessus. L'utilisation de toute autre batterie ou tout autre chargeur peut entraîner une blessure et/ou un incendie.

Source d'alimentation connectée au cordon recommandée

Support d'alimentation portable	PDC01
---------------------------------	-------

- Suivant la région où vous habitez, il se peut que la ou les sources d'alimentation connectées au cordon énumérées ci-dessus ne soient pas disponibles.
- Avant d'utiliser la source d'alimentation connectée au cordon, lisez les instructions et indications de mise en garde qui se trouvent sur celle-ci.

CONSIGNES DE SÉCURITÉ

Consignes de sécurité générales pour outils électriques

⚠ MISE EN GARDE : Lisez toutes les mises en garde, instructions, illustrations et spécifications qui accompagnent cet outil électrique. Il y a risque de décharge électrique, d'incendie et/ou de blessure grave si les instructions ci-dessous ne sont pas toutes respectées.

Conservez toutes les mises en garde et instructions pour référence future.

Le terme « outil électrique » qui figure dans les avertissements fait référence à un outil électrique branché sur une prise de courant (par un cordon d'alimentation) ou alimenté par batterie (sans fil).

Sécurité de la zone de travail

1. **Maintenez la zone de travail propre et bien éclairée.** Les zones de travail encombrées ou sombres ouvrent grande la porte aux accidents.
2. **N'utilisez pas les outils électriques dans les atmosphères explosives, par exemple en présence de liquides, gaz ou poussières inflammables.** Les outils électriques produisent des étincelles au contact

desquelles la poussière ou les vapeurs peuvent s'enflammer.

3. **Assurez-vous qu'aucun enfant ou curieux ne s'approche pendant que vous utilisez un outil électrique.** Vous risquez de perdre la maîtrise de l'outil si votre attention est détournée.

Sécurité en matière d'électricité

1. **Les fiches d'outil électrique sont conçues pour s'adapter parfaitement aux prises de courant. Ne modifiez jamais la fiche de quelque façon que ce soit. N'utilisez aucun adaptateur de fiche sur les outils électriques avec mise à la terre.** En ne modifiant pas les fiches et en les insérant dans des prises de courant pour lesquelles elles ont été conçues, vous réduirez les risques de choc électrique.
2. **Évitez tout contact corporel avec les surfaces mises à la terre, telles que tuyaux, radiateurs, cuisinières et réfrigérateurs.** Le risque de choc électrique est plus élevé si votre corps se trouve mis à la terre.
3. **N'exposez pas les outils électriques à la pluie ou à l'eau.** La présence d'eau dans un outil électrique augmente le risque de choc électrique.
4. **Ne maltraitez pas le cordon. N'utilisez jamais le cordon pour transporter, tirer ou débrancher l'outil électrique. Maintenez le cordon à l'écart des sources de chaleur, de l'huile, des objets à bords tranchants et des pièces en mouvement.** Le risque de choc électrique est plus élevé lorsque les cordons sont endommagés ou enchevêtrés.
5. **Lorsque vous utilisez un outil électrique à l'extérieur, utilisez un cordon prolongateur conçu pour l'usage extérieur.** Le risque de choc électrique est moindre lorsqu'un cordon conçu pour l'usage extérieur est utilisé.
6. **Si vous devez utiliser un outil électrique dans un endroit humide, utilisez une source d'alimentation protégée par un disjoncteur de fuite à la terre.** L'utilisation d'un disjoncteur de fuite à la terre réduit le risque de choc électrique.
7. **Les outils électriques peuvent produire des champs électromagnétiques (CEM) qui ne sont pas préjudiciables à l'utilisateur.** Les utilisateurs de stimulateur cardiaque ou autres appareils médicaux similaires doivent toutefois demander conseil au fabricant et/ou à leur médecin avant d'utiliser cet outil électrique.

Sécurité personnelle

1. **Restez alerte, attentif à vos mouvements et faites preuve de bon sens lorsque vous utilisez un outil électrique. N'utilisez pas les outils électriques si vous êtes fatigué ou avez pris une drogue, de l'alcool ou un médicament.** Un moment d'inattention pendant l'utilisation d'un outil électrique peut entraîner une grave blessure.
2. **Portez des dispositifs de protection personnelle. Portez toujours une protection oculaire.** Les risques de blessure seront moins élevés si vous utilisez des dispositifs de protection tels qu'un masque anti-poussière, des chaussures à semelle antidérapante, une coiffure résistante ou une protection d'oreilles.
3. **Évitez les démarrages accidentels. Assurez-vous que l'interrupteur est en position d'arrêt avant de brancher l'outil à la prise de courant et/ou au bloc-piles, et avant de prendre ou de transporter l'outil.** Vous ouvrez la porte aux accidents si vous transportez les outils électriques avec le doigt sur l'interrupteur ou si vous les branchez alors que l'interrupteur est en position de marche.

4. **Retirez toute clé de réglage ou de serrage avant de mettre l'outil électrique sous tension.** Toute clé laissée en place sur une pièce rotative de l'outil électrique peut entraîner une blessure.
5. **Ne vous étirez pas exagérément. Assurez-vous d'une bonne prise au sol et d'un bon équilibre en tout temps.** Cela vous permettra d'avoir une meilleure maîtrise de l'outil électrique dans les situations imprévues.
6. **Portez des vêtements adéquats. Ne portez ni vêtements amples ni bijoux. Gardez vos cheveux, vêtements et gants à l'écart des pièces en mouvement.** Les vêtements amples, bijoux ou cheveux longs peuvent être happés par les pièces en mouvement.
7. **Si des accessoires sont fournis pour raccorder un appareil d'aspiration et de collecte de la poussière, assurez-vous qu'ils sont correctement raccordés et qu'ils sont utilisés de manière adéquate.** L'utilisation d'un appareil de collecte permet de réduire les risques liés à la présence de poussière dans l'air.
8. **Évitez d'être complaisant et d'ignorer les principes de sécurité de l'outil en raison de la familiarité acquise par un usage fréquent des outils.** Un geste imprudent peut entraîner une grave blessure en une fraction de seconde.
9. **Portez toujours des lunettes à coques de protection pour protéger vos yeux contre les blessures lors de l'utilisation d'outils électriques. Les lunettes à coques doivent être conformes à ANSI Z87.1 aux États-Unis. L'employeur a la responsabilité d'imposer l'utilisation d'équipements de protection de sécurité adéquats aux utilisateurs des outils électriques et à toute autre personne se trouvant dans la zone de travail immédiate.**

Utilisation et entretien des outils électriques

1. **Ne forcez pas l'outil électrique. Utilisez l'outil électrique adéquat suivant le type de travail à effectuer.** Si vous utilisez l'outil électrique adéquat et respectez le régime pour lequel il a été conçu, il effectuera un travail de meilleure qualité et plus sécuritaire.
2. **N'utilisez pas l'outil électrique s'il n'est pas possible de l'allumer et de l'éteindre avec son interrupteur.** Un outil électrique dont l'interrupteur est défectueux représente un danger et doit être réparé.
3. **Avant d'effectuer tout réglage, de remplacer un accessoire ou de ranger l'outil électrique, débranchez la fiche de la source d'alimentation et/ou retirez la batterie de l'outil électrique si elle est amovible.** Ces mesures préventives de sécurité réduisent les risques de démarrage accidentel de l'outil électrique.
4. **Après l'utilisation d'un outil électrique, rangez-le hors de portée des enfants et ne laissez aucune personne l'utiliser si elle n'est pas familiarisée avec l'outil électrique ou les présentes instructions d'utilisation.** Les outils électriques représentent un danger entre les mains de personnes qui n'en connaissent pas le mode d'utilisation.

5. **Effectuez l'entretien des outils électriques et des accessoires. Assurez-vous que les pièces mobiles ne sont pas désalignées ou coincées, qu'aucune pièce n'est cassée et que l'outil électrique n'a subi aucun dommage affectant son bon fonctionnement. Le cas échéant, faites réparer l'outil électrique avant de l'utiliser.** De nombreux accidents sont causés par des outils électriques mal entretenus.
 6. **Maintenez les outils tranchants bien aiguisés et propres.** Un outil tranchant dont l'entretien est effectué correctement et dont les bords sont bien aiguisés risquera moins de se coincer et sera plus facile à maîtriser.
 7. **Utilisez l'outil électrique, ses accessoires, ses embouts, etc., en respectant les présentes instructions, en tenant compte des conditions de travail et du type de travail à effectuer.** L'utilisation d'un outil électrique pour d'autres usages que ceux prévus peut entraîner une situation dangereuse.
 8. **Gardez les poignées et surfaces de saisie sèches, propres et exemptes d'huile et de graisse.** Les poignées et surfaces de saisie glissantes ne permettent pas une manipulation sûre et une bonne maîtrise de l'outil dans les situations inattendues.
 9. **Lors de l'utilisation de l'outil, ne portez pas de gants de travail en tissu qui risquent de s'enchevêtrer dans l'outil.** L'enchevêtrement de gants de travail en tissu dans les pièces en mouvement peut entraîner une blessure.
7. **Suivez toutes les instructions de charge et ne chargez pas la batterie ou l'outil à l'extérieur de la plage de température spécifiée dans les instructions.** Charger de manière inadéquate ou à des températures hors de la plage spécifiée peut endommager la batterie et augmenter le risque d'incendie.

Réparation

1. **Faites réparer votre outil électrique par un réparateur qualifié qui utilise des pièces de rechange identiques aux pièces d'origine.** Le maintien de la sûreté de l'outil électrique sera ainsi assuré.
2. **N'essayez jamais de réparer les batteries endommagées.** La réparation des batteries ne doit être effectuée que par le fabricant ou par un fournisseur de service après-vente agréé.
3. **Suivez les instructions de lubrification et de remplacement des accessoires.**
4. **Ne modifiez pas ou n'essayez pas de réparer l'appareil ou la batterie autrement que tel qu'indiqué dans les instructions d'utilisation et d'entretien.**

Consignes de sécurité pour taille-haie sans fil

Utilisation et entretien des outils alimentés par batterie

1. **Pour recharger, utilisez uniquement le chargeur spécifié par le fabricant.** L'utilisation d'un chargeur conçu pour un type donné de bloc-piles comporte un risque d'incendie lorsqu'il est utilisé avec un autre type de bloc-piles.
 2. **N'utilisez un outil électrique qu'avec le bloc-piles conçu spécifiquement pour cet outil.** Il y a risque de blessure ou d'incendie si un autre bloc-piles est utilisé.
 3. **Lorsque vous n'utilisez pas le bloc-piles, rangez-le à l'écart des objets métalliques tels que trombones, pièces de monnaie, clés, clous, vis ou autres petits objets métalliques qui risqueraient d'établir une connexion entre les bornes.** La mise en court-circuit des bornes de batterie peut causer des brûlures ou un incendie.
 4. **Dans des conditions d'utilisation inadéquates de la batterie, il peut y avoir fuite d'électrolyte; évitez tout contact avec ce liquide. En cas de contact accidentel, rincez avec beaucoup d'eau. Si le liquide pénètre dans vos yeux, il faut aussi consulter un médecin.** L'électrolyte qui s'échappe de la batterie peut causer des irritations ou des brûlures.
 5. **N'utilisez pas une batterie ou un outil s'il est endommagé ou modifié.** Les batteries endommagées ou modifiées peuvent avoir un comportement imprévisible dont peut résulter un incendie, une explosion ou un risque de blessure.
 6. **N'exposez pas une batterie ou un outil au feu ou à une température excessive.** L'exposition au feu ou à une température supérieure à 130 °C peut entraîner une explosion.
1. **Gardez toutes les parties du corps à l'écart de la lame de couteau.** Pendant que les lames sont en mouvement, évitez de retirer le matériau coupé ou de tenir le matériau à couper. Les lames continuent de tourner en roue libre après la mise hors tension. Avant de retirer un matériau coincé, veillez à mettre l'interrupteur en position d'arrêt. Tout moment d'inattention pendant l'utilisation du taille-haie peut entraîner une grave blessure.
 2. **Transportez le taille-haie par sa poignée, avec la lame de couteau arrêtée.** La manipulation adéquate du taille-haie réduira les risques de blessure au contact des lames de couteau.
 3. **Ne tenez l'outil électrique que par ses surfaces de prises isolées, car la lame de coupe peut toucher un câblage dissimulé.** Au contact d'un fil sous tension, les lames de couteau peuvent mettre sous tension les pièces métalliques découvertes de l'outil électrique et transmettre une décharge électrique à l'utilisateur.
 4. **DANGER - Gardez les mains à l'écart de la lame.** Le contact avec la lame entraînera une grave blessure.
 5. **N'utilisez pas le taille-haie sous la pluie ou dans des conditions mouillées ou très humides.** Le moteur électrique n'est pas imperméable à l'eau.
 6. **Les nouveaux utilisateurs doivent se faire expliquer l'utilisation du taille-haie par un utilisateur expérimenté.**
 7. **Le taille-haie ne doit pas être utilisé par les enfants ou par les jeunes de moins de 18 ans.** Les jeunes de 16 ans et plus peuvent faire exception à cette restriction s'ils reçoivent une formation sous la supervision d'un expert.

8. **Utilisez le taille-haie seulement si vous êtes en bon état physique.** Si vous êtes fatigué, votre concentration sera moindre. Soyez tout spécialement prudent à la fin de la journée de travail. Effectuez le travail calmement et prudemment. L'utilisateur est responsable de tout dommage encouru par des tiers.
9. **N'utilisez jamais le taille-haie lorsque vous êtes sous l'influence de l'alcool, d'une drogue ou d'un médicament.**
10. **Les gants de travail en cuir résistant font partie de l'équipement de base du taille-haie et doivent toujours être portés pendant son utilisation.** Portez également des chaussures robustes à semelle antidérapante.
11. **Avant de commencer le travail, assurez-vous que le taille-haie est sécuritaire et en bon état de marche.** Assurez-vous que les gardes sont bien installés. Le taille-haie ne doit être utilisé qu'une fois complètement assemblé.
12. **Avant de commencer le travail, assurez-vous d'une bonne prise au sol.**
13. **Tenez l'outil fermement pendant l'utilisation.**
14. **Ne faites pas inutilement tourner l'outil à vide.**
15. **Coupez immédiatement le contact et retirez la batterie si le couteau entre en contact avec une clôture ou autre objet dur.** Vérifiez l'absence de dommages sur le couteau, et réparez-le immédiatement s'il est endommagé.
16. **Avant de vérifier le couteau, d'en faire l'entretien ou d'enlever une matière coincée, éteignez toujours le taille-haie et retirez la batterie.**
17. **Avant d'effectuer tout travail d'entretien sur le taille-haie, éteignez-le et retirez la batterie.**
18. **Lorsque vous déplacez le taille-haie vers un autre emplacement, y compris pendant l'exécution du travail, retirez toujours la batterie et mettez le couvre-lames sur les lames de couteau.** Ne transportez jamais le taille-haie pendant que le couteau est en mouvement. Ne saisissez jamais le couteau avec les mains.
19. **Nettoyez le taille-haie et tout spécialement le couteau après l'utilisation, ainsi qu'avant de ranger le taille-haie pour une période prolongée.** Huilez légèrement le couteau et mettez le couvercle. Le couvercle fourni avec l'appareil peut être accroché à un mur pour un rangement sécuritaire et pratique du taille-haie.
20. **Rangez le taille-haie dans une pièce sèche avec son couvercle posé.** Gardez-le hors de la portée des enfants. Ne rangez jamais le taille-haie à l'extérieur.
21. **Ne pointez jamais les lames de cisaillement vers vous-même ou d'autres personnes.**
22. **Si les lames cessent de bouger en raison de la présence de corps étrangers entre les lames pendant l'utilisation, éteignez l'outil et retirez la batterie, puis enlevez les corps étrangers à l'aide d'une pince ou autre outil.** En retirant les corps étrangers avec la main, vous risquez de vous blesser car les lames peuvent bouger lors du retrait des corps étrangers.
23. **Évitez les environnements dangereux.** N'utilisez pas l'outil dans les endroits humides ou mouillés, et ne l'exposez pas à la pluie. L'infiltration d'eau dans l'outil accroît le risque de décharge électrique.
24. **Ne jetez pas la/les batterie(s) au feu.** L'élément pourrait exploser. Vérifiez la réglementation locale pour savoir s'il existe des directives particulières sur l'élimination.
25. **N'ouvrez pas et n'endommagez pas la/les batterie(s).** L'électrolyte qui s'échappe est corrosif et peut provoquer des dommages aux yeux ou à la peau. Il peut être toxique s'il est ingéré.
26. **Ne chargez pas la batterie sous la pluie ou dans les emplacements humides.**
27. **Avant d'utiliser l'outil, assurez-vous qu'il n'y a pas de corps étrangers tels que clôtures grillagées ou câblage dissimulé dans les haies et buissons.**

CONSERVEZ CES INSTRUCTIONS.

⚠ MISE EN GARDE : NE vous laissez PAS tromper (au fil d'une utilisation répétée) par un sentiment d'aisance ou de familiarité avec le produit en négligeant les consignes de sécurité qui accompagnent le produit. UNE UTILISATION INCORRECTE ou le non-respect des règles de sécurité énoncées dans le présent manuel d'instructions peut provoquer des blessures graves.

⚠ MISE EN GARDE : L'utilisation de ce produit peut générer des poussières contenant des substances chimiques, lesquelles peuvent causer des problèmes respiratoires ou autres maladies. Parmi ces substances chimiques figurent les composés que l'on retrouve dans les pesticides, insecticides, fertilisants et herbicides.

Les risques liés à l'exposition varient suivant la fréquence d'exécution du type de travail en question. Pour réduire votre exposition à ces substances chimiques : travaillez dans un emplacement bien aéré et avec des dispositifs de sécurité approuvés, tels que les masques antipoussières spécialement conçus pour filtrer les particules microscopiques.

Symboles

Les symboles utilisés pour l'outil sont indiqués ci-dessous.

V	volts
— ---	courant continu
n.	vitesse à vide
... /min r /min	tours ou alternances par minute

Consignes de sécurité importantes pour la batterie

1. **Avant d'utiliser la batterie, lisez toutes les instructions et les mises en garde apposées sur (1) le chargeur de batterie, (2) la batterie et (3) le produit utilisant la batterie.**
2. **Ne démontez pas et ne modifiez pas la batterie.** Cela peut entraîner un incendie, une chaleur excessive ou une explosion.
3. **Cessez immédiatement l'utilisation si le temps de fonctionnement devient excessivement court. Il y a risque de surchauffe, de brûlures, voire d'explosion.**
4. **Si l'électrolyte pénètre dans vos yeux, rincez-les à l'eau claire et consultez immédiatement un médecin. Il y a risque de perte de la vue.**
5. **Ne court-circuitez pas la batterie :**
 - (1) **Ne touchez les bornes avec aucun matériau conducteur.**
 - (2) **Évitez de ranger la batterie dans un conteneur avec d'autres objets métalliques tels que clous, pièces de monnaie, etc.**
 - (3) **Évitez d'exposer la batterie à l'eau ou à la pluie.**

Un court-circuit de la batterie pourrait provoquer un fort courant, une surchauffe, parfois des brûlures et même une panne.
6. **Ne rangez pas et n'utilisez pas l'outil ou la batterie dans des emplacements où la température peut atteindre ou dépasser 50 °C (122 °F).**
7. **Ne jetez pas la batterie au feu même si elle est sérieusement endommagée ou complètement épuisée. La batterie peut exploser au contact du feu.**
8. **Évitez de clouer, de couper, d'écraser, de lancer ou d'échapper la batterie, ou de heurter un objet dur contre la batterie.** Cela peut entraîner un incendie, une chaleur excessive ou une explosion.
9. **N'utilisez pas une batterie si elle est endommagée.**
10. **Les batteries lithium-ion fournies sont soumises aux exigences de la législation sur les marchandises dangereuses.**

Des exigences particulières sur l'emballage et l'étiquetage doivent être respectées lors du transport commercial par des tiers, des transitaires, etc. Pour préparer la marchandise à expédier, consultez un expert en matériaux dangereux si nécessaire. Respectez aussi les éventuelles réglementations nationales plus détaillées. Recouvrez de ruban isolant les contacts exposés, et emballez la batterie de sorte qu'elle ne puisse pas se déplacer à l'intérieur de l'emballage.
11. **Lors de l'élimination de la batterie, retirez-la de l'outil et éliminez-la dans un endroit sûr. Respectez la réglementation locale concernant l'élimination de la batterie.**

12. **N'utilisez les batteries qu'avec les produits spécifiés par Makita.** Installer les batteries sur des produits non conformes peut entraîner un incendie, une chaleur excessive, une explosion ou une fuite d'électrolyte.
13. **Si l'outil reste inutilisé pour une période prolongée, la batterie doit en être retirée.**
14. **Pendant et après l'utilisation, la batterie peut accumuler de la chaleur, ce qui peut causer des brûlures ou des brûlures à basse température.** Faites attention lors de la manipulation des batteries chaudes.
15. **Ne touchez pas la borne de l'outil immédiatement après l'utilisation, car elle peut être assez chaude pour causer des brûlures.**
16. **Ne laissez pas les copeaux, les poussières ou la terre se coincer dans les bornes, les trous et les rainures de la batterie.** Cela pourrait causer un réchauffement, un incendie, un éclatement et une défaillance de l'outil ou de la batterie et entraîner des brûlures ou des blessures corporelles.
17. **À moins que l'outil ne soit compatible avec l'utilisation à proximité des lignes électriques haute tension, n'utilisez pas la batterie à proximité d'une ligne électrique haute tension.** Cela peut entraîner un dysfonctionnement ou une panne de l'outil ou de la batterie.
18. **Gardez la batterie à l'écart des enfants.**

CONSERVEZ CES INSTRUCTIONS.

⚠ATTENTION : Utilisez exclusivement les batteries fabriquées par Makita. Les batteries autres que celles fabriquées par Makita ou les batteries modifiées peuvent exploser et causer un incendie, une blessure ou des dommages. Cela annule aussi la garantie Makita de l'outil et du chargeur Makita.

Conseils pour maintenir la durée de service maximale de la batterie

1. **Rechargez la batterie avant qu'elle ne soit complètement déchargée. Arrêtez toujours l'outil et rechargez la batterie quand vous remarquez que la puissance de l'outil diminue.**
2. **Ne rechargez jamais une batterie complètement chargée. La surcharge réduit la durée de service de la batterie.**
3. **Chargez la batterie à une température ambiante comprise entre 10 °C et 40 °C (50 °F et 104 °F). Si la batterie est chaude, laissez-la refroidir avant de la charger.**
4. **Lorsque vous n'utilisez pas la batterie, retirez-la de l'outil ou du chargeur.**
5. **Chargez la batterie si elle est restée inutilisée pendant une période prolongée (plus de six mois).**

DESCRIPTION DU FONCTIONNEMENT

⚠ ATTENTION : Assurez-vous toujours que l'outil est éteint et que sa batterie est retirée avant de l'ajuster ou de vérifier son fonctionnement.

Installation ou retrait de la batterie

⚠ ATTENTION : Éteignez toujours l'outil avant d'installer ou de retirer la batterie.

⚠ ATTENTION : Tenez fermement l'outil et la batterie lors de l'installation ou du retrait de cette dernière. Si l'outil et la batterie ne sont pas tenus fermement, ils risquent de vous glisser des mains et de subir des dommages, ou encore de vous blesser.

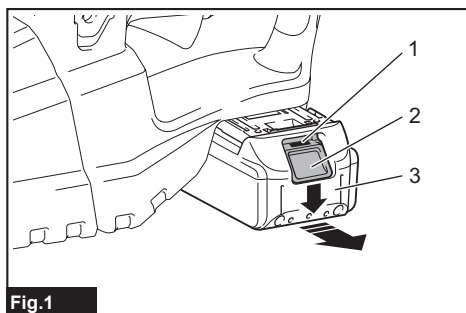


Fig.1

► 1. Indicateur rouge 2. Bouton 3. Batterie

Pour retirer la batterie, faites-la glisser hors de l'outil tout en glissant le bouton qui se trouve à l'avant.

Pour installer la batterie, alignez sa languette sur la rainure pratiquée dans le boîtier et glissez la batterie en place. Insérez-la à fond jusqu'à ce que vous entendiez un léger déclic. Si vous pouvez voir l'indicateur rouge tel qu'illustré sur la figure, cela signifie qu'elle n'est pas complètement verrouillée.

⚠ ATTENTION : Installez toujours la batterie à fond jusqu'à ce que vous ne puissiez plus voir l'indicateur rouge. Autrement elle risque de tomber accidentellement de l'outil et d'entraîner des blessures.

⚠ ATTENTION : Ne forcez pas sur la batterie pour l'installer. Si la batterie ne glisse pas facilement, c'est qu'elle n'est pas insérée correctement.

Affichage de la charge restante de la batterie

Uniquement pour les batteries avec voyant

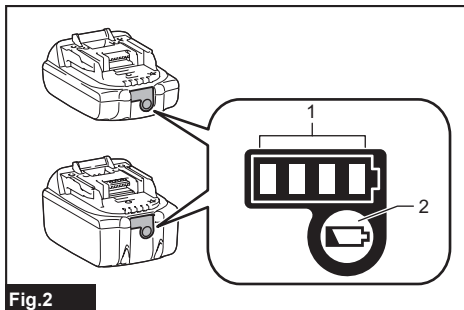


Fig.2

► 1. Témoins indicateurs 2. Bouton de vérification

Appuyez sur le bouton de vérification de la batterie pour afficher la charge restante de la batterie. Les témoins indicateurs s'allument quelques secondes.





















Témoins indicateurs			Charge restante
Allumé	Éteint	Clignotant	
■	□	□	75 % à 100 %
■	■	□	50 % à 75 %
■	■	□	25 % à 50 %
■	□	□	0 % à 25 %
◼	□	□	Chargez la batterie.
■	■	□	La batterie a peut-être mal fonctionné.
□	□	■	

NOTE : Suivant les conditions d'utilisation et la température ambiante, il se peut que l'indication soit légèrement différente de la charge réelle.


NOTE : La première lampe témoin (à l'extrémité gauche) clignote lorsque le dispositif de protection de la batterie s'active.

Dispositif de protection de l'outil et de la batterie

L'outil est équipé d'un système de protection d'outil/batterie. Ce système coupe automatiquement l'alimentation du moteur pour augmenter la durée de vie de l'outil et de la batterie. L'outil s'arrête automatiquement pendant l'utilisation lorsque l'outil ou la batterie est dans l'une des situations suivantes :

État	Témoins indicateurs		
	■ Allumé	□ Éteint	◻ Clignotant
Surcharge			  
Surchauffe	  	  	     
Décharge excessive		 	 


Protection contre la surcharge

Si l'outil est surchargé par des branches ou autres débris enchevêtrés, le témoin  et le témoin central se mettent à clignoter et l'outil s'arrête automatiquement.

Dans cette situation, éteignez l'outil et arrêtez l'activité qui entraîne une surcharge de l'outil. Rallumez ensuite l'outil pour redémarrer.


AVIS : Suivant les conditions d'utilisation, l'outil s'éteint automatiquement sans aucune indication s'il est surchargé par des branches ou débris enchevêtrés. Le cas échéant, éteignez l'outil et retirez la batterie, puis enlevez les branches ou débris enchevêtrés à l'aide d'une pince ou autre outil. Après avoir retiré les branches ou débris, installez la batterie et rallumez l'outil.

Protection contre la surchauffe pour outil ou batterie

Il y a deux types de surchauffe : la surchauffe de l'outil et la surchauffe de la batterie. Lorsque c'est l'outil qui surchauffe, tous les indicateurs de vitesse clignotent. Lorsque c'est la batterie qui surchauffe, l'indicateur  clignote.

Lorsqu'il y a surchauffe, l'outil s'arrête automatiquement. Laissez refroidir l'outil et/ou la batterie avant de rallumer l'outil.

Protection contre la décharge excessive

Lorsque la charge de la batterie devient faible, l'outil s'arrête automatiquement et l'indicateur  clignote. Si l'outil ne fonctionne pas même si vous activez les commandes, retirez la batterie de l'outil et chargez-la.

Réglage de l'angle de la poignée

ATTENTION : Avant l'utilisation, assurez-vous toujours que la poignée est verrouillée sur la position désirée.

ATTENTION : Ne tirez pas sur le levier pour déverrouiller la poignée pendant que vous appuyez sur la gâchette. N'appuyez pas sur la gâchette pendant que vous abaissez le levier et tournez la poignée. Autrement vous risquez de provoquer un dysfonctionnement de l'outil.

Vous pouvez régler l'angle de la poignée sur 0°, 45° ou 90° à gauche ou à droite. Pour modifier l'angle de la poignée, tournez-la tout en abaissant le levier, puis libérez le levier.

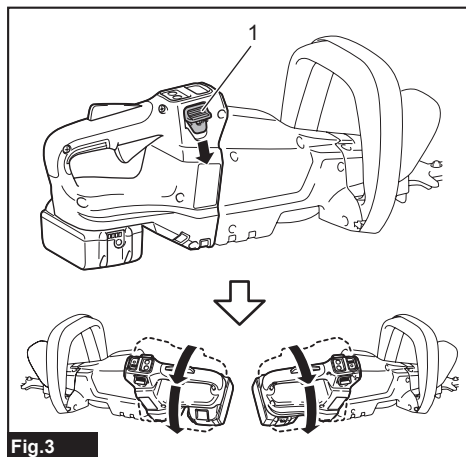


Fig.3

► 1. Levier

Fonctionnement de l'interrupteur d'alimentation

MISE EN GARDE : Pour votre sécurité, cet outil est équipé d'un levier de sécurité qui prévient son démarrage accidentel. N'utilisez JAMAIS l'outil s'il se met en marche lorsque vous appuyez simplement sur le levier interrupteur et appuyez sur la gâchette sans appuyer sur le levier de sécurité. AVANT de poursuivre l'utilisation, retournez l'outil à notre centre de service après-vente agréé pour le faire réparer.

MISE EN GARDE : Le levier de sécurité ne doit JAMAIS être immobilisé avec du ruban adhésif, ni modifié.

MISE EN GARDE : Avant d'installer la batterie sur l'outil, vérifiez toujours que la gâchette et le levier interrupteur fonctionnent bien et reviennent en position d'arrêt lorsque libérés. Utiliser un outil dont les commandes ne fonctionnent pas bien peut entraîner la perte de contrôle de l'outil et une blessure grave.

ATTENTION : Ne mettez jamais le doigt sur le commutateur lorsque vous transportez l'outil. L'outil risquerait de démarrer accidentellement et de causer une blessure.

AVIS : N'appuyez pas fortement sur la gâchette avant d'avoir enfoncé le levier de sécurité. Vous risqueriez de casser la gâchette.

Appuyez sur le bouton d'alimentation pour allumer l'outil. Le témoin d'alimentation s'allume lorsque l'outil est allumé. Pour éteindre l'outil, maintenez enfoncé le bouton d'alimentation. Le témoin d'alimentation s'éteint lorsque l'outil est éteint.

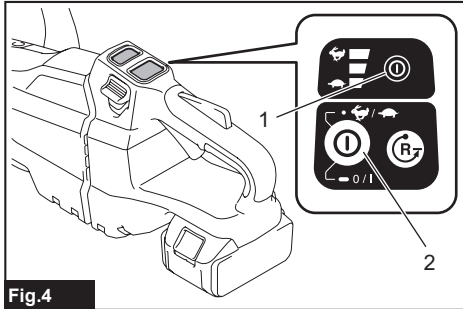


Fig.4

► 1. Témoin d'alimentation 2. Bouton d'alimentation principale

NOTE : L'outil s'éteint automatiquement s'il reste inutilisé pendant un certain temps.

L'outil est doté d'un levier de sécurité pour éviter l'activation accidentelle de la gâchette. Pour faire démarrer l'outil, enfoncez le levier de sécurité, puis appuyez sur le levier interrupteur et appuyez sur la gâchette. L'outil accélère à mesure que la pression sur la gâchette augmente. Pour arrêter l'outil, relâchez la gâchette.

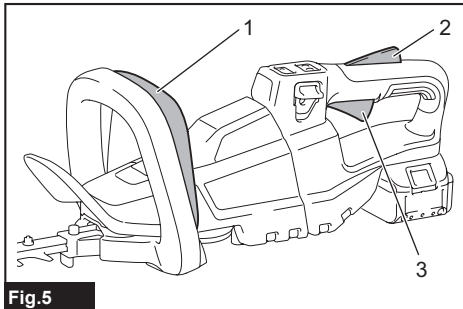


Fig.5

► 1. Levier interrupteur 2. Levier de sécurité 3. Gâchette

Réglage de la vitesse

Vous pouvez régler la vitesse de l'outil en tapant sur le bouton d'alimentation principale. Chaque fois que vous tapez sur le bouton d'alimentation principale, le niveau de vitesse change.

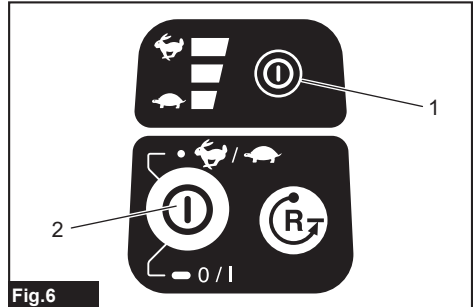


Fig.6

► 1. Témoin d'alimentation 2. Bouton d'alimentation principale

Indicateur	Mode	Vitesse de cisaillement
	Élevé	4 400/min
	Moyen	3 600/min
	Bas	2 000/min

Bouton inverseur pour le retrait des débris

MISE EN GARDE : Si les branches ou débris enchevêtrés ne peuvent être enlevés par la fonction de marche arrière, éteignez l'outil et retirez la batterie, puis enlevez les branches ou débris enchevêtrés à l'aide d'une pince ou autre outil. En n'éteignant pas l'outil et en ne retirant pas la batterie, vous risquez de provoquer un démarrage accidentel et de subir une grave blessure. En retirant les branches ou débris enchevêtrés avec la main, vous risquez de vous blesser car les lames de cisaillement peuvent bouger lors de leur retrait.

Cet outil est doté d'un bouton de marche arrière pour changer le sens de déplacement des lames de cisaillement. Il sert uniquement au retrait des branches et débris enchevêtrés dans l'outil.

Pour inverser le sens de déplacement des lames de cisaillement, appuyez sur le bouton de marche arrière lorsque les lames de cisaillement sont arrêtées, puis appuyez sur le levier interrupteur et appuyez sur la gâchette tout en appuyant sur le levier de sécurité. Le témoin d'alimentation se met à clignoter et les lames de cisaillement se déplacent en sens contraire. Une fois les branches et débris enchevêtrés retirés, l'outil revient à son sens de déplacement normal et le témoin d'alimentation cesse de clignoter et reste allumé.

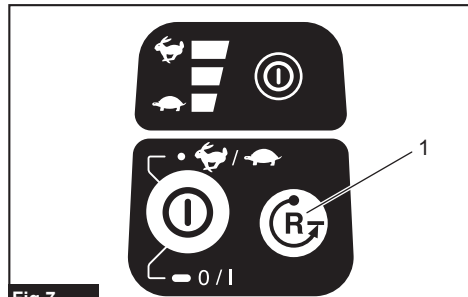


Fig.7

► 1. Bouton inverseur

NOTE : S'il n'est pas possible de retirer les branches ou débris enchevêtrés, libérez la gâchette et appuyez dessus, de manière répétée, jusqu'à ce qu'ils soient retirés.

NOTE : Si vous appuyez sur le bouton de marche arrière pendant que les lames de cisaillement se déplacent encore, l'outil s'arrête et est prêt pour le déplacement en marche arrière.

Frein électrique

Cet outil est muni d'un frein électrique. Si la libération du levier de la gâchette ne permet jamais d'arrêter promptement l'outil, faites-le réparer dans un centre de service après-vente Makita.

ASSEMBLAGE

ATTENTION : Assurez-vous toujours que l'outil est éteint et que sa batterie est retirée avant d'effectuer tout travail dessus.

ATTENTION : Lorsque vous remplacez les lames de cisaillement, portez toujours des gants de sorte que vos mains ne touchent pas directement les lames.

AVIS : Lorsque vous remplacez les lames de cisaillement, n'essayez pas la graisse de l'engrenage et de la manivelle.

Pose ou retrait des lames de cisaillement

ATTENTION : Fixez le couvre-lames avant de retirer ou de poser les lames de cisaillement.

Vous pouvez installer des lames de cisaillement de 500 mm (19-3/4"), 600 mm (23-5/8") ou 750 mm (29-1/2") sur votre outil.

1. Mettez l'outil à l'envers, puis retirez six boulons.

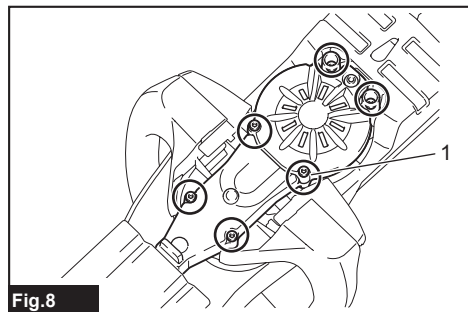


Fig.8

► 1. Boulon

2. Retirez le couvercle et la plaque.

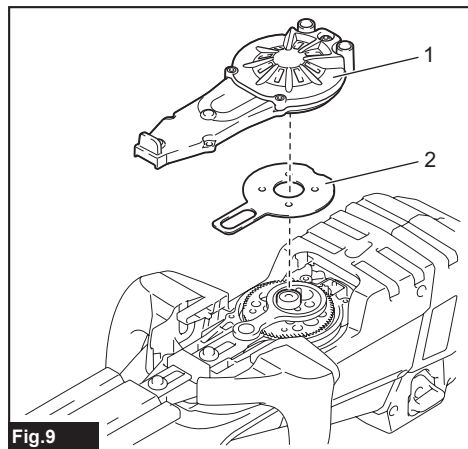


Fig.9

► 1. Couvercle 2. Plaque

NOTE : La plaque peut rester sur le couvercle.

3. Retirez la tige.

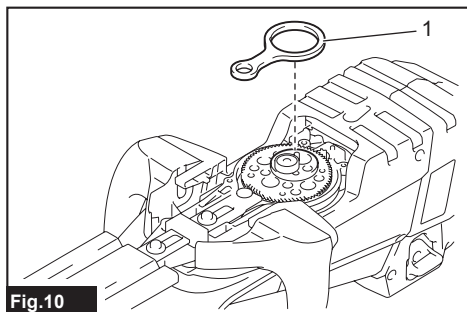


Fig.10

► 1. Tige

NOTE : La tige peut rester sur le couvercle.

4. Retirez deux vis, le coussinet de feutre et les manchons, puis retirez les lames de cisaillement.

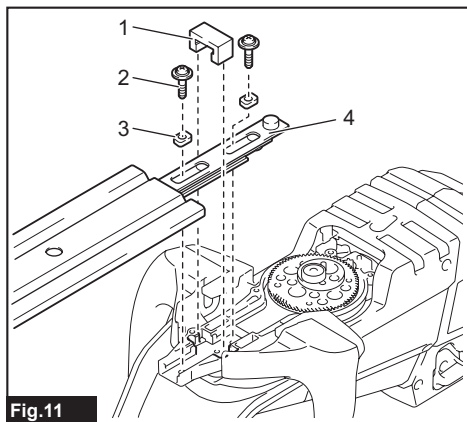


Fig.11

► 1. Coussinet de feutre 2. Vis 3. Manchon 4. Lames de cisaillement

5. Retirez le couvre-lames, puis fixez-le aux nouvelles lames de cisaillement.

6. Ajustez la manivelle de sorte que les 2 trous soient alignés sur la ligne d'alignement.

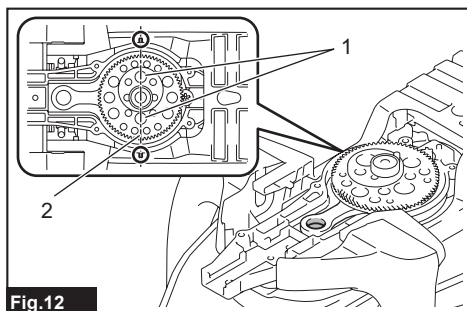


Fig.12

► 1. Trou 2. Ligne d'alignement

7. Alignez les parties saillantes des lames de cisaillement verticalement à la même position.

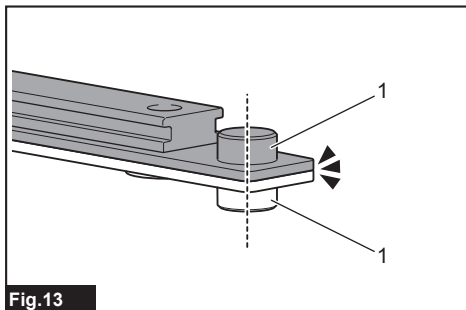


Fig.13

► 1. Partie saillante

8. Fixez le coussinet de feutre aux lames de cisaillement.

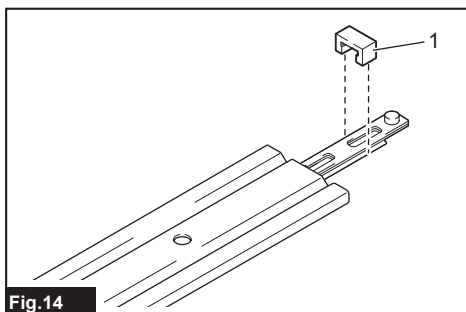


Fig.14

► 1. Coussinet de feutre

9. Insérez la partie saillante des lames de cisaillement dans le trou de la tige, puis alignez la position du coussinet de feutre sur les trous de l'outil, puis fixez les nouveaux manchons.

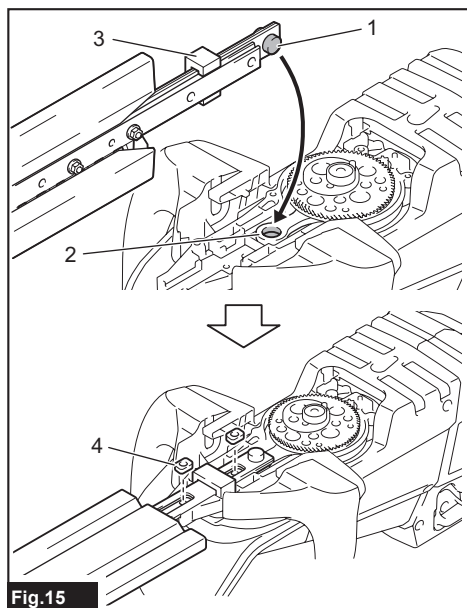


Fig.15

► 1. Partie saillante 2. Trou 3. Coussinet de feutre
4. Manchon

AVIS : Appliquez une petite quantité de graisse sur la bordure intérieure du trou de la tige.

AVIS : Prenez garde de perdre les manchons.

10. Alignez les trous des lames de cisaillement sur les trous de l'outil, puis serrez les 2 vis pour fixer les lames de cisaillement.

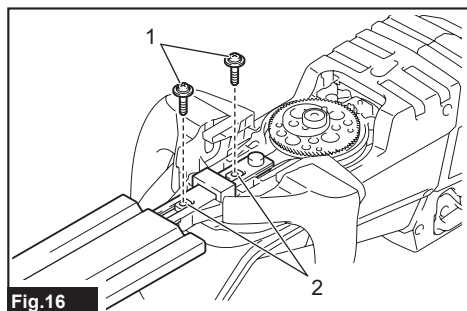


Fig.16

► 1. Vis 2. Trou

11. Fixez la tige.

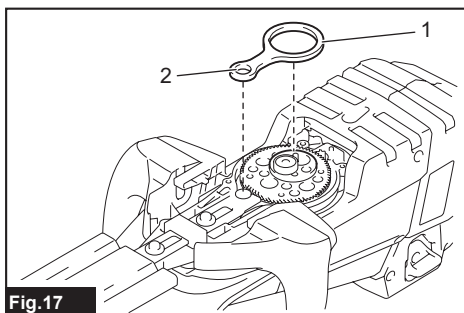


Fig.17

► 1. Tige 2. Petit trou

AVIS : Appliquez une petite quantité de graisse sur la bordure intérieure du petit trou de la tige.

AVIS : Assurez-vous que la partie saillante des lames de cisaillement pénètre dans le petit trou de la tige.

12. Fixez la plaque.

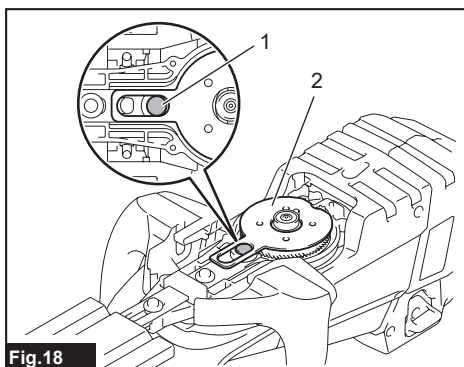


Fig.18

► 1. Partie saillante 2. Plaque

AVIS : Assurez-vous que la partie saillante des lames de cisaillement pénètre dans le trou de la plaque.

13. Fixez le couvercle, puis serrez six boulons.

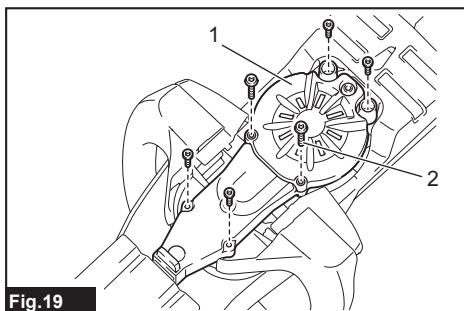


Fig.19

► 1. Couvercle 2. Boulon

AVIS : Pensez à poser deux longues vis dans les trous centraux.

AVIS : Si les lames de cisaillement ne se déplacent pas sans à-coups, c'est qu'elles ne sont pas bien engagées dans les tiges. Réinstallez les lames de cisaillement.

AVIS : Si les tiges ou autres pièces que les lames de cisaillement sont usées, demandez à un centre de service après-vente Makita de remplacer ou réparer les pièces.

Pose ou retrait du collecteur de copeaux

Accessoire en option

⚠ ATTENTION : Lorsque vous installez ou retirez le collecteur de copeaux, portez toujours des gants pour que vos mains ne touchent pas directement les lames de cisaillement.

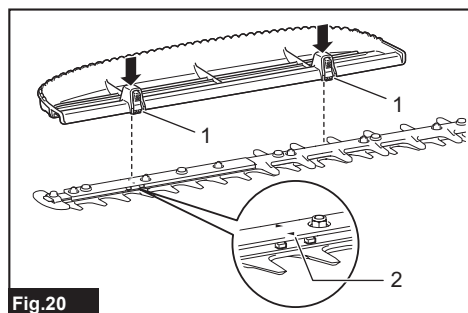
AVIS : Le couvre-lames ne peut être installé si le collecteur de copeaux est installé sur l'outil. Avant de transporter ou de ranger l'outil, désinstallez le collecteur de copeaux, puis installez le couvre-lames pour éviter que la lame ne soit exposée.

AVIS : Pensez à retirer le couvre-lames avant d'installer le collecteur de copeaux.

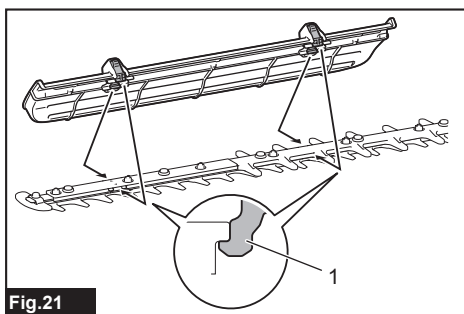
Le collecteur de copeaux rassemble les feuilles rejetées et facilite grandement le nettoyage par la suite. Il peut être posé d'un côté ou de l'autre de l'outil.

Type 1

Pour installer le collecteur de copeaux, alignez l'extrémité des lames de cisaillement sur celle du collecteur de copeaux, puis pressez le collecteur de copeaux contre les lames de cisaillement de sorte que les crochets pénètrent dans les rainures des lames de cisaillement.

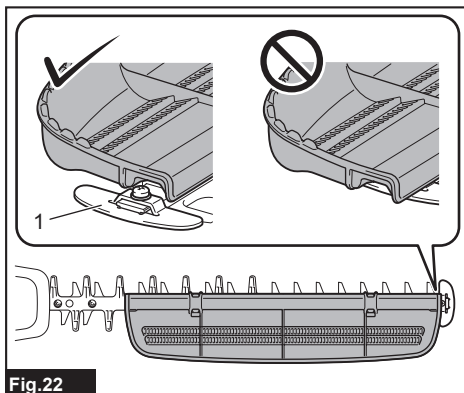


► 1. Crochet 2. Flèche



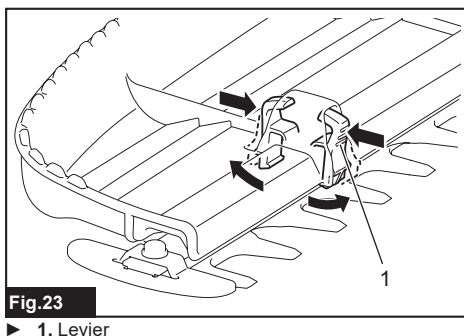
► 1. Crochet

AVIS : Assurez-vous que le collecteur de copeaux ne chevauche pas l'attrape-branche.



► 1. Attrape-branche

Pour retirer le collecteur de copeaux, pressez les leviers des deux côtés pour libérer les crochets.



► 1. Levier

Type 2

1. Accrochez les griffes du collecteur de copeaux aux lames de cisaillement.

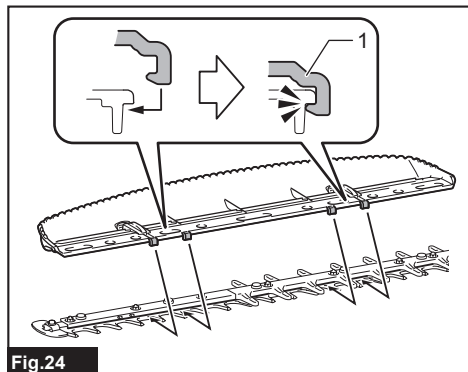


Fig.24

- 1. Griffes

2. Alignez les trous du collecteur de copeaux avec les vis des lames de cisaillement, puis fixez solidement le collecteur de copeaux aux lames de cisaillement.

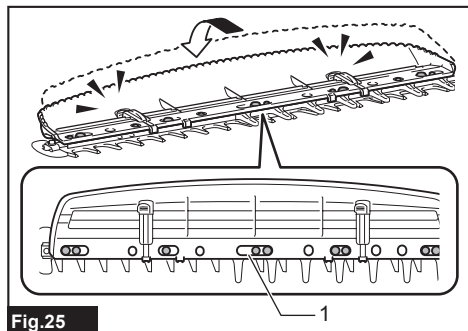


Fig.25

- 1. Trou

AVIS : Assurez-vous que le collecteur de copeaux ne chevauche pas l'attrape-branche.

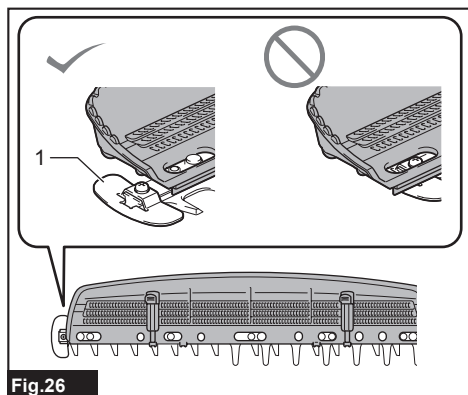


Fig.26

- 1. Attrape-branche

Pour retirer le collecteur de copeaux, pressez les leviers pour libérer les griffes.

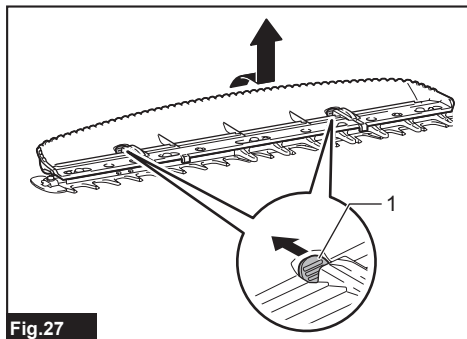


Fig.27

- 1. Levier

AVIS : N'essayez jamais de retirer le collecteur de copeaux en appliquant une force excessive alors que ses crochets sont verrouillés dans les rainures des lames de cisaillement.

UTILISATION

⚠ MISE EN GARDE : Gardez les mains à l'écart des lames de cisaillement.

⚠ ATTENTION : Autant que possible, évitez d'utiliser l'outil par temps très chaud. Lorsque vous utilisez l'outil, soyez attentif à votre condition physique.

⚠ ATTENTION : Prenez garde de toucher accidentellement une clôture métallique ou autre objet dur en taillant. Les lames de cisaillement risqueraient de se casser et de causer une blessure.

⚠ ATTENTION : Prenez garde de laisser les lames de cisaillement toucher le sol. L'outil risquerait de faire un bond vers l'arrière et de causer une blessure.

⚠ ATTENTION : Il est extrêmement dangereux de trop tendre les bras avec un taille-haie, et ce tout particulièrement sur une échelle. Ne montez jamais sur un objet branlant ou fragile pour effectuer le travail.

AVIS : N'essayez pas de couper des branches d'un diamètre supérieur à 10 mm (3/8") avec l'outil. Avant d'utiliser l'outil, coupez d'abord les branches 10 cm (4") plus bas que la hauteur de coupe, à l'aide d'un ébrancheur.

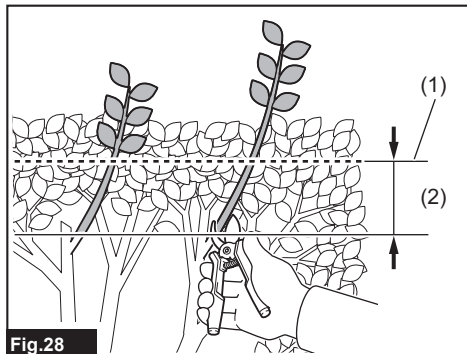


Fig.28

► (1) Hauteur de coupe (2) 10 cm (4")

AVIS : Ne découpez pas en morceaux les arbres morts et objets durs similaires. Cela risquerait d'endommager l'outil.

AVIS : Ne taillez pas les herbes ou les mauvaises herbes pendant l'utilisation des lames de cisaillement. Les lames de cisaillement risqueraient de s'enchevêtrer dans les herbes ou les mauvaises herbes.

Tenez l'outil à deux mains, appuyez sur le levier interrupteur et appuyez sur la gâchette tout en appuyant sur le levier de sécurité, puis déplacez l'outil vers l'avant.

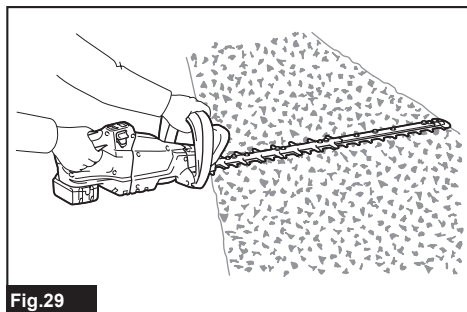


Fig.29

Pour une utilisation de base, inclinez les lames de cisaillement dans le sens de la taille et déplacez l'outil doucement et lentement à une vitesse de 3 à 4 secondes par mètre.

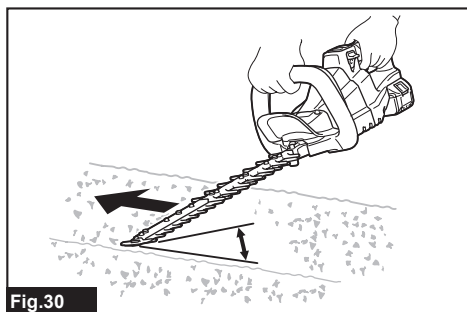


Fig.30

Pour couper le dessus de la haie de manière uniforme, tendez une ficelle à la hauteur désirée et taillez le long de cette ficelle.

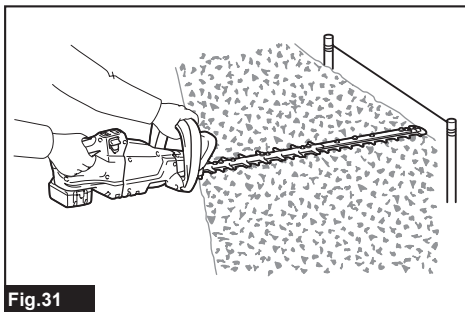


Fig.31

Lorsque le collecteur de copeaux est fixé aux lames de cisaillement, il rassemble les feuilles rejetées et facilite grandement le nettoyage par la suite.

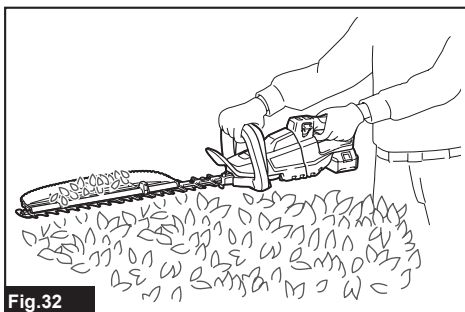


Fig.32

Pour couper le côté de la haie de manière uniforme, coupez du bas vers le haut.

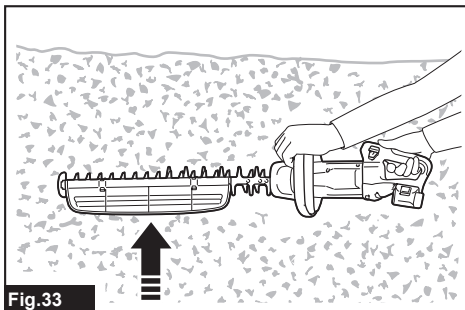


Fig.33

Lorsque vous taillez pour faire une forme ronde (taille d'un buis, d'un rhododendron, etc.), taillez de la racine vers le haut pour obtenir un beau résultat.

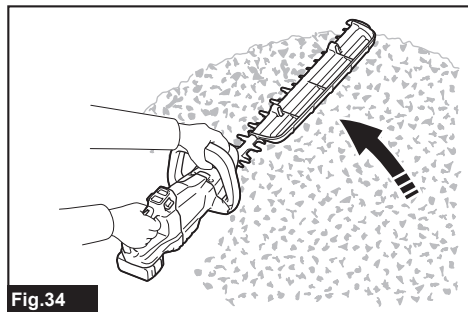


Fig.34

Après l'utilisation, enlevez les poussières des deux côtés des lames de cisaillement avec une brosse métallique, essuyez avec un linge puis appliquez l'huile à faible viscosité (huile à machine ou huile lubrifiante en vaporisateur) sur les lames de cisaillement.

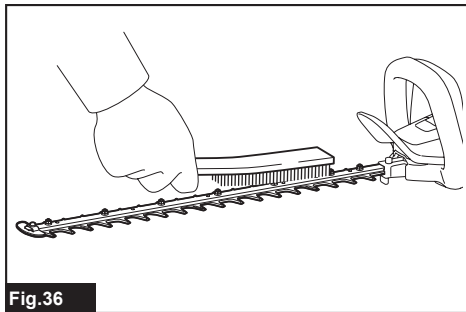


Fig.36

ENTRETIEN

ATTENTION : Assurez-vous toujours que l'outil est hors tension et que la batterie est retirée avant d'y effectuer tout travail d'inspection ou d'entretien.

Pour maintenir la SÉCURITÉ et la FIABILITÉ du produit, les réparations et tout autre travail d'entretien ou de réglage doivent être effectués dans un centre de service après-vente autorisé ou une usine Makita, exclusivement avec des pièces de rechange Makita.

Nettoyage de l'outil

Nettoyez l'outil en essuyant les poussières avec un linge sec ou trempé dans une eau savonneuse et essoré.

AVIS : N'utilisez jamais d'essence, de benzine, de solvant, d'alcool ou autres produits similaires. Une décoloration, une déformation ou la formation de fissures peuvent en découler.

Entretien de la lame de cisaillement

Avant l'utilisation ou après chaque heure d'utilisation, appliquez une huile à faible viscosité (huile à machine ou huile lubrifiante en vaporisateur) sur les lames de cisaillement.

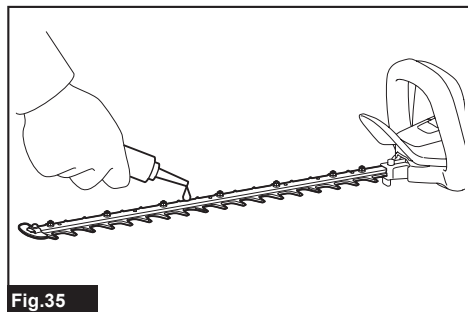


Fig.35

AVIS : Ne lavez pas les lames de cisaillement dans l'eau. Cela risquerait de causer de la rouille ou d'endommager l'outil.

AVIS : Les saletés et la corrosion causent une friction excessive sur la lame et réduisent la durée de fonctionnement par charge de batterie.

Remisage

Le trou pour crochet au bas de l'outil est pratique pour accrocher l'outil à un clou ou à une vis sur le mur. Fixez le couvre-lames aux lames de cisaillement de sorte que les lames ne soient pas dénudées. Rangez l'outil hors de la portée des enfants. Rangez l'outil dans un emplacement non exposé à l'humidité ou à la pluie.

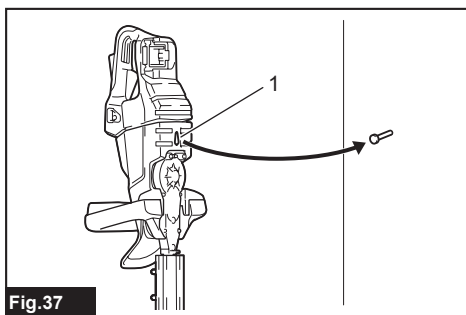


Fig.37

► 1. Trou

Aiguillage des lames de cisaillement

AVIS : Si les lames de cisaillement sont considérablement déformées par l'aiguillage, remplacez-les par des neuves.

1. Installez la batterie sur l'outil.
2. Allumez et démarrez l'outil de sorte que la lame supérieure et la lame inférieure soient disposées en alternance.

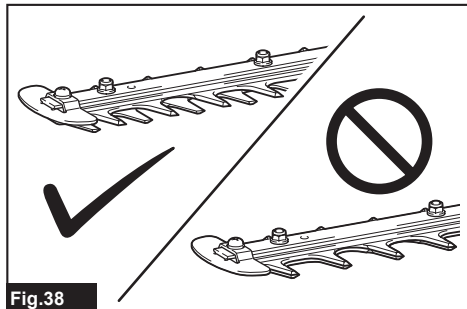


Fig.38

3. Éteignez l'outil et retirez la batterie.
4. Retirez la vis, puis retirez l'attrape-branche.

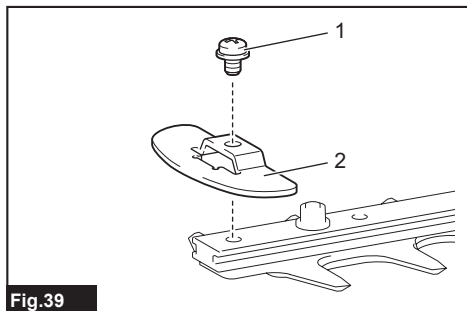


Fig.39

- 1. Vis 2. Attrape-branche

5. En plaçant une lime sur un angle de 45°, aiguisez la lame supérieure dans 3 directions à l'aide de la lime.

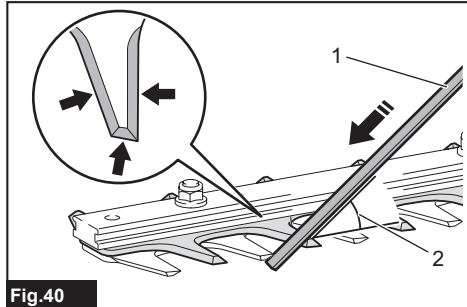


Fig.40

- (1) Lime (2) 45°

⚠ ATTENTION : Avant d'aiguiller les lames de cisaillement, assurez-vous que l'outil est éteint et la batterie retirée.

6. Mettez l'outil à l'envers, puis retirez les bavures sur les lames de cisaillement à l'aide de la pierre à aiguiser.

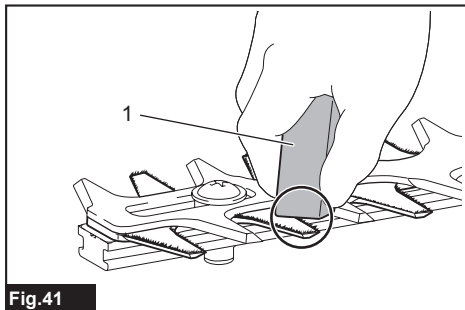


Fig.41

- 1. Pierre à aiguiser

7. En plaçant une lime sur un angle de 45°, aiguisez la lame inférieure dans 3 directions à l'aide de la lime.

8. Remettez l'outil à l'endroit, puis retirez les bavures sur les lames de cisaillement à l'aide de la pierre à aiguiser.

9. Fixez l'attrape-branche en serrant la vis.

Lubrification à la graisse

Intervalle de lubrification : Toutes les 100 heures d'utilisation

1. Retirez trois boulons, puis retirez le couvercle inférieur.

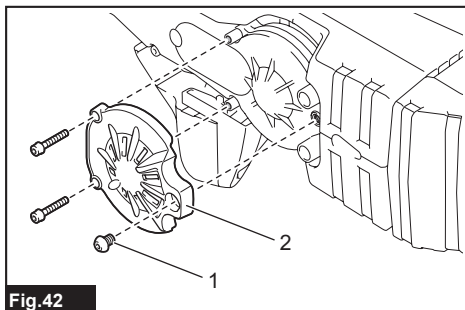


Fig.42

- 1. Boulon 2. Couvercle inférieur

2. Retirez le bouchon du récipient de graissage, puis fixez le récipient de graissage au trou du couvercle en tournant le récipient de graissage.

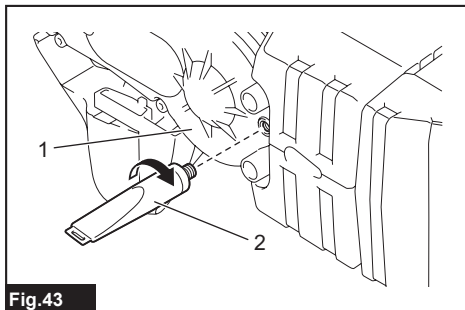


Fig.43

- 1. Couvercle 2. Récipient de graissage

3. Appliquez de la graisse sur l'outil (à titre de référence, environ 5 g (0,2 oz)).
4. Retirez le récipient de graissage.
5. Fixez le couvercle inférieur, puis serrez les trois vis.

ACCESSOIRES EN OPTION

⚠ ATTENTION : Ces accessoires ou pièces complémentaires sont recommandés pour l'utilisation avec l'outil Makita spécifié dans ce manuel. L'utilisation de tout autre accessoire ou pièce complémentaire peut comporter un risque de blessure. N'utilisez les accessoires ou pièces complémentaires qu'aux fins auxquelles ils ont été conçus.

Si vous désirez obtenir plus de détails sur ces accessoires, veuillez contacter le centre de service après-vente Makita le plus près.

- Ensemble de lame de cisaillement
- Couvre-lame de cisaillement
- Collecteur de copeaux
- Récipient de graissage
- Chargeur et batterie authentiques Makita

NOTE : Certains éléments de la liste peuvent être inclus avec l'outil comme accessoires standards. Ils peuvent varier suivant les pays.

GARANTIE LIMITÉE MAKITA

Pour les conditions de garantie en vigueur qui s'appliquent à ce produit, veuillez vous reporter à la feuille de garantie en annexe. Si la feuille de garantie en annexe n'est pas disponible, reportez-vous aux détails de la garantie présentés sur le site Web de votre pays, ci-dessous.

États-Unis d'Amérique: www.makitatools.com

Canada: www.makita.ca

Autres pays: www.makita.com

ESPECIFICACIONES

Modelo:	DUH501	DUH601	DUH751
Longitud de la cuchilla	500 mm (19-3/4")	600 mm (23-5/8")	750 mm (29-1/2")
Carreras por minuto	0 cpm - 2 000 cpm / 0 cpm - 3 600 cpm / 0 cpm - 4 400 cpm		
Longitud total	1 016 mm (40")	1 121 mm (44-1/4")	1 261 mm (49-1/2")
Tensión nominal	18 V c.c.		
Peso neto	3,8 kg - 4,5 kg (8,4 lbs - 9,8 lbs)		

Modelo:	DUH502	DUH602	DUH752
Longitud de la cuchilla	500 mm (19-3/4")	600 mm (23-5/8")	750 mm (29-1/2")
Carreras por minuto	0 cpm - 2 000 cpm / 0 cpm - 3 600 cpm / 0 cpm - 4 400 cpm		
Longitud total	1 016 mm (40")	1 121 mm (44-1/4")	1 261 mm (49-1/2")
Tensión nominal	18 V c.c.		
Peso neto	3,8 kg - 4,5 kg (8,4 lbs - 9,8 lbs)		

- Debido a nuestro continuo programa de investigación y desarrollo, las especificaciones aquí incluidas están sujetas a cambio sin previo aviso.
- Las especificaciones pueden variar de país a país.
- El peso puede variar en función de los accesorios, incluido el cartucho de batería. En la tabla se muestra la combinación de peso más ligero y más pesado conforme al procedimiento 01/2014 de EPTA.

Cartucho de batería y cargador aplicables

Cartucho de batería	BL1815N / BL1820B / BL1830B / BL1840B / BL1850B / BL1860B
Cargador	DC18RC / DC18RD / DC18RE / DC18SD / DC18SE / DC18SF / DC18SH / DC18WC

- Algunos de los cartuchos de batería y cargadores enumerados arriba podrían no estar disponibles dependiendo de su área de residencia.

⚠ ADVERTENCIA: Use únicamente los cartuchos de batería y los cargadores indicados arriba. El uso de cualquier otro cartucho de batería y cargador podría ocasionar una lesión y/o un incendio.

Fuente de alimentación conectada por cable recomendada

Unidad portátil de alimentación eléctrica	PDC01
---	-------

- La o las fuentes de alimentación conectadas por cable enumeradas arriba podrían no estar disponibles dependiendo de su área de residencia.
- Antes de utilizar la fuente de alimentación conectada por cable, lea las instrucciones e indicaciones de precaución sobre ellas.

ADVERTENCIAS DE SEGURIDAD

Advertencias generales de seguridad para herramientas eléctricas

⚠ ADVERTENCIA: Lea todas las advertencias de seguridad, instrucciones, ilustraciones y especificaciones suministradas con esta herramienta eléctrica. El no seguir todas las instrucciones indicadas a continuación podría ocasionar una descarga eléctrica, incendio y/o lesiones graves.

Conserve todas las advertencias e instrucciones como referencia en el futuro.

En las advertencias, el término "herramienta eléctrica" se refiere a su herramienta eléctrica de funcionamiento con conexión a la red eléctrica (con cableado eléctrico) o herramienta eléctrica de funcionamiento a batería (inalámbrica).

Seguridad en el área de trabajo

1. **Mantenga el área de trabajo limpia y bien iluminada.** Las áreas oscuras o desordenadas son propensas a accidentes.
2. **No utilice las herramientas eléctricas en atmósferas explosivas, tal como en la presencia de líquidos, gases o polvo inflamables.** Las herramientas eléctricas crean chispas que pueden prender fuego al polvo o los humos.

3. **Mantenga a los niños y curiosos alejados mientras utiliza una herramienta eléctrica.** Las distracciones le pueden hacer perder el control.

Seguridad eléctrica

1. **Las clavijas de conexión de las herramientas eléctricas deberán encajar perfectamente en la toma de corriente. No modifique nunca la clavija de conexión de ninguna forma. No utilice ninguna clavija adaptadora con herramientas eléctricas que tengan conexión a tierra (puesta a tierra).** La utilización de clavijas no modificadas y que encajen perfectamente en la toma de corriente reducirá el riesgo de que se produzca una descarga eléctrica.
2. **Evite tocar con el cuerpo superficies conectadas a tierra o puestas a tierra tales como tubos, radiadores, cocinas y refrigeradores.** Si su cuerpo es puesto a tierra o conectado a tierra existirá un mayor riesgo de que sufra una descarga eléctrica.
3. **No exponga las herramientas eléctricas a la lluvia ni a condiciones húmedas.** La entrada de agua en una herramienta eléctrica aumentará el riesgo de que se produzca una descarga eléctrica.
4. **No maltrate el cable. Nunca utilice el cable para transportar, jalar o desconectar la herramienta eléctrica. Mantenga el cable alejado del calor, aceite, objetos cortantes o piezas móviles.** Los cables dañados o enredados aumentan el riesgo de sufrir una descarga eléctrica.
5. **Cuando utilice una herramienta eléctrica en exteriores, utilice un cable de extensión apropiado para uso en exteriores.** La utilización de un cable apropiado para uso en exteriores reducirá el riesgo de que se produzca una descarga eléctrica.
6. **Si no es posible evitar usar una herramienta eléctrica en condiciones húmedas, utilice un alimentador protegido con interruptor de circuito de falla a tierra (ICFT).** El uso de un ICFT reduce el riesgo de descarga eléctrica.
7. **Las herramientas eléctricas pueden producir campos electromagnéticos (CEM) que no son dañinos para el usuario.** Sin embargo, si los usuarios tienen marcapasos y otros dispositivos médicos similares, deberán consultar al fabricante de su dispositivo y/o a su médico antes de operar esta herramienta eléctrica.

Seguridad personal

1. **Manténgase alerta, preste atención a lo que está haciendo y utilice su sentido común cuando opere una herramienta eléctrica. No utilice una herramienta eléctrica cuando esté cansado o bajo la influencia de drogas, alcohol o medicamentos.** Un momento de distracción mientras opera las herramientas eléctricas puede terminar en una lesión grave.
2. **Use equipo de protección personal. Póngase siempre protección para los ojos.** El equipo protector tal como máscara contra el polvo, zapatos de seguridad antiderrapantes, casco rígido y protección para oídos utilizado en las condiciones apropiadas reducirá el riesgo de lesiones.
3. **Impida el encendido accidental. Asegúrese de que el interruptor esté en la posición de apagado antes de conectar a la alimentación eléctrica y/o de colocar el cartucho de batería, así como al levantar o cargar la herramienta.** Cargar las herramientas eléctricas con su dedo en el interruptor o enchufarlas con el interruptor encendido hace que los accidentes sean comunes.

4. **Retire cualquier llave de ajuste o llave de apriete antes de encender la herramienta.** Una llave de ajuste o llave de apriete que haya sido dejada puesta en una parte giratoria de la herramienta eléctrica puede ocasionar alguna lesión.
5. **No utilice la herramienta donde no alcance. Mantenga los pies sobre suelo firme y el equilibrio en todo momento.** Esto permite un mejor control de la herramienta eléctrica en situaciones inesperadas.
6. **Use una vestimenta apropiada. No use ropa suelta ni alhajas. Mantenga el cabello, la ropa y los guantes alejados de las piezas móviles.** Las prendas de vestir holgadas, las alhajas y el cabello largo suelto podrían engancharse en estas piezas móviles.
7. **Si dispone de dispositivos para la conexión de equipos de extracción y recolección de polvo, asegúrese de conectarlos y utilizarlos debidamente.** Hacer uso de la recolección de polvo puede reducir los riesgos relacionados con el polvo.
8. **No permita que la familiaridad adquirida debido al uso frecuente de las herramientas haga que se sienta confiado e ignore los principios de seguridad de las herramientas.** Un descuido podría ocasionar una lesión grave en una fracción de segundo.
9. **Utilice siempre gafas protectoras para proteger sus ojos de lesiones al usar herramientas eléctricas. Las gafas deben cumplir con la Norma ANSI Z87.1 en EUA.** Es responsabilidad del empleador imponer el uso de equipos protectores de seguridad apropiados a los operadores de la herramienta y demás personas cerca del área de trabajo.

Mantenimiento y uso de la herramienta eléctrica

1. **No fuerce la herramienta eléctrica. Utilice la herramienta eléctrica correcta para su aplicación.** La herramienta eléctrica adecuada hará un mejor trabajo y de forma más segura a la velocidad para la que ha sido fabricada.
2. **No utilice la herramienta eléctrica si el interruptor no la enciende y apaga.** Cualquier herramienta eléctrica que no pueda ser controlada con el interruptor es peligrosa y debe ser reemplazada.
3. **Desconecte la clavija de la fuente de alimentación y/o retire la batería de la herramienta eléctrica, en caso de ser removible, antes de realizar ajustes, cambiar accesorios o almacenar las herramientas eléctricas.** Tales medidas de seguridad preventivas reducirán el riesgo de poner en marcha la herramienta eléctrica de forma accidental.
4. **Guarde la herramienta eléctrica que no use fuera del alcance de los niños y no permita que las personas que no están familiarizadas con ella o con las instrucciones la operen.** Las herramientas eléctricas son peligrosas en manos de personas que no saben operarlas.
5. **Dé mantenimiento a las herramientas eléctricas y los accesorios. Compruebe que no haya piezas móviles desalineadas o estancadas, piezas rotas y cualquier otra condición que pueda afectar al funcionamiento de la herramienta eléctrica.** Si la herramienta eléctrica está dañada, haga que la reparen antes de utilizarla. Muchos de los accidentes son ocasionados por no dar un mantenimiento adecuado a las herramientas eléctricas.

6. **Mantenga las herramientas de corte limpias y filosas.** Si recibe un mantenimiento adecuado y tiene los bordes afilados, es probable que la herramienta se atasque menos y sea más fácil controlarla.
7. **Utilice la herramienta eléctrica, los accesorios y las brocas de acuerdo con estas instrucciones, considerando las condiciones laborales y el trabajo a realizar.** Si utiliza la herramienta eléctrica para realizar operaciones distintas de las indicadas, podrá presentarse una situación peligrosa.
8. **Mantenga los mangos y superficies de asimiento secos, limpios y libres de aceite o grasa.** Los mangos y superficies de asimiento resbalosos no permiten una manipulación segura ni el control de la herramienta en situaciones inesperadas.
9. **Cuando vaya a utilizar esta herramienta, evite usar guantes de trabajo de tela ya que éstos podrían atorarse.** Si los guantes de trabajo de tela llegan a atorarse en las piezas móviles, esto podría ocasionar lesiones personales.

Uso y cuidado de la herramienta a batería

1. **Recargue sólo con el cargador especificado por el fabricante.** Un cargador que es adecuado para un solo tipo de batería puede generar riesgo de incendio al ser utilizado con otra batería.
2. **Utilice las herramientas eléctricas solamente con las baterías designadas específicamente para ellas.** La utilización de cualquier otra batería puede crear un riesgo de lesiones o incendio.
3. **Cuando no se esté usando la batería, manténgala alejada de otros objetos metálicos, como sujetapapeles (clips), monedas, llaves, clavos, tornillos u otros objetos pequeños de metal los cuales pueden actuar creando una conexión entre las terminales de la batería.** Originar un cortocircuito en las terminales puede causar quemaduras o incendios.
4. **En condiciones abusivas, podrá escapar líquido de la batería; evite tocarlo. Si lo toca accidentalmente, enjuague con agua. Si hay contacto del líquido con los ojos, busque asistencia médica.** Puede que el líquido expulsado de la batería cause irritación o quemaduras.
5. **No utilice una herramienta ni una batería que estén dañadas o hayan sido modificadas.** Las baterías dañadas o modificadas podrían ocasionar una situación inesperada provocando un incendio, explosión o riesgo de lesiones.
6. **No exponga la herramienta ni la batería al fuego ni a una temperatura excesiva.** La exposición al fuego o a una temperatura superior a los 130 °C podría causar una explosión.
7. **Siga todas las instrucciones para la carga y evite cargar la herramienta o la batería fuera del rango de temperatura especificado en las instrucciones.** Una carga inadecuada o a una temperatura fuera del rango especificado podría dañar la batería e incrementar el riesgo de incendio.

Servicio

1. **Haga que una persona calificada repare la herramienta eléctrica utilizando sólo piezas de repuesto idénticas.** Esto asegura que se mantenga la seguridad de la herramienta eléctrica.
2. **Nunca dé servicio a baterías que estén dañadas.** El servicio a las baterías solamente deberá ser efectuado por el fabricante o un agente de servicio autorizado.
3. **Siga las instrucciones para la lubricación y cambio de accesorios.**
4. **No modifique ni intente reparar el aparato ni el paquete de baterías salvo como se indique en las instrucciones para el uso y cuidado.**

Advertencias de seguridad para el cortasetos inalámbrico

1. **Mantenga todas las partes del cuerpo alejadas de la cuchilla de corte. No retire ni sostenga el material que va a cortar cuando las cuchillas estén en movimiento. Las cuchillas siguen girando por inercia aún después de apagadas. Asegúrese de que el interruptor se encuentre apagado antes de despejar el material atascado.** Un momento de distracción mientras opera el cortasetos podría ocasionar lesiones personales graves.
2. **Sostenga el cortasetos por el mango cuando la cuchilla de corte se encuentre detenida.** La manipulación adecuada del cortasetos reducirá la posibilidad de lesiones personales ocasionadas por las cuchillas de corte.
3. **Sujete la herramienta solamente por las superficies de asimiento aisladas, ya que la cuchilla de corte podría entrar en contacto con cableado oculto.** Las cuchillas de corte que entren en contacto con un cable con corriente podrán hacer que la corriente circule por las piezas metálicas expuestas de la herramienta eléctrica pudiendo ocasionar una descarga eléctrica al operador.
4. **PELIGRO - Mantenga las manos alejadas de la cuchilla.** El contacto con la cuchilla podría ocasionar lesiones personales graves.
5. **No utilice el cortasetos bajo la lluvia o en lugares mojados ni en condiciones de mucha humedad.** El motor eléctrico no es a prueba de agua.
6. **Un usuario con experiencia deberá enseñar a los usuarios primerizos cómo manejar el cortasetos.**
7. **El cortasetos no deberá ser utilizado por niños ni por personas menores de 18 años.** Esta restricción podrá pasarse por alto para personas mayores de 16 años siempre que reciban la capacitación correspondiente bajo la supervisión de un experto.
8. **Utilice el cortasetos sólo si se encuentra en buena condición física.** Si está cansado, su atención se verá disminuida. Sea especialmente cuidadoso al término de una jornada laboral. Realice todo el trabajo tranquila y cuidadosamente. El usuario será responsable de todos los daños a terceras personas.

9. Nunca utilice el cortasetos si está bajo la influencia de alcohol, drogas o algún medicamento.
10. Los guantes de trabajo hechos de piel gruesa forman parte del equipo básico del cortasetos y deberán usarse siempre que se trabaje con éste. Utilice también zapatos resistentes con suelas antiderrapantes.
11. Antes de comenzar el trabajo, revise el cortasetos para asegurarse de que esté en buen estado y en condiciones seguras de funcionamiento. Asegúrese de que los protectores estén colocados correctamente. El cortasetos no deberá ser utilizado hasta que se encuentre totalmente ensamblado.
12. Asegúrese de pisar firmemente antes de comenzar la operación.
13. Siempre que utilice la herramienta sosténgala firmemente.
14. No opere la herramienta sin carga innecesariamente.
15. Si la pieza de corte entra en contacto con alguna cerca u otro objeto duro, apague inmediatamente el motor y retire el cartucho de batería. Verifique si la cortadora presenta algún daño, de ser así deberá ser reparada de inmediato.
16. Siempre apague el cortasetos y retire el cartucho de batería antes de revisar la cortadora, enmendar fallas o retirar algún material atorado en la cortadora.
17. Apague el cortasetos y retire el cartucho de batería antes de realizar cualquier trabajo de mantenimiento.
18. Siempre que traslade el cortasetos a otro lugar, aun durante el trabajo, retire el cartucho de batería y coloque la cubierta de las cuchillas para cubrir las cuchillas de corte. Nunca cargue ni transporte el cortasetos con la cortadora funcionando. Nunca sostenga la cortadora con sus manos.
19. Limpie el cortasetos y en especial la cortadora después de usarlos y antes de almacenar el cortasetos por períodos prolongados. Aplique una capa ligera de aceite a la cortadora y colóque la cubierta. La cubierta suministrada con la unidad puede colgarse en la pared, proporcionando una manera práctica y segura para almacenar el cortasetos.
20. Almacene el cortasetos con la cubierta puesta en una habitación libre de humedad. Manténgalo fuera del alcance de los niños. Nunca almacene el cortasetos en exteriores.
21. Nunca apunte las cuchillas de cizalla hacia usted ni hacia otras personas.
22. Si las cuchillas se dejan de mover a causa de objetos extraños atorados entre ellas durante la operación, apague la herramienta, extraiga el cartucho de batería y luego retire los objetos extraños usando herramientas tales como pinzas. El retirar los objetos extraños con la mano podría ocasionar una lesión, debido a que las cuchillas pueden moverse al intentar retirarlas.
23. Evite los entornos peligrosos. No utilice la herramienta en lugares húmedos o mojados ni la esponja a la lluvia. El agua que ingrese a la herramienta incrementará el riesgo de descarga eléctrica.
24. No arroje la(s) batería(s) al fuego. La celda podría explotar. Consulte los códigos locales para ver si hay instrucciones especiales relacionadas con la disposición.
25. No abra ni dañe la(s) batería(s). Los electrolitos liberados son corrosivos y pueden ocasionar daños en los ojos o la piel. Estos pueden ser tóxicos si se llegan a tragar.
26. No cargue la batería bajo la lluvia ni en lugares mojados.
27. Antes de operar la herramienta, revise los setos y arbustos para ver que no haya objetos extraños, tales como cercas de alambre o cableado oculto.

GUARDE ESTAS INSTRUCCIONES.

⚠ADVERTENCIA: NO DEJE que la comodidad o familiaridad con el producto (a base de utilizarlo repetidamente) evite que siga estrictamente las normas de seguridad para dicho producto. El USO INCORRECTO o el no seguir las normas de seguridad indicadas en este manual de instrucciones puede ocasionar lesiones graves.

⚠ADVERTENCIA: El uso de este producto puede producir polvo que contenga sustancias químicas que podrían causar enfermedades respiratorias o de otro tipo. Algunos ejemplos de estas sustancias químicas son los compuestos encontrados en pesticidas, insecticidas, fertilizantes y herbicidas.

El riesgo al que se expone varía, dependiendo de la frecuencia con la que realice este tipo de trabajo. Para reducir la exposición a estas sustancias químicas: trabaje en un área bien ventilada y use un equipo de seguridad aprobado, tal como las máscaras contra polvo que están especialmente diseñadas para filtrar partículas microscópicas.

Símbolos

A continuación se muestran los símbolos utilizados para la herramienta.

v	volts o voltios
— ---	corriente directa o continua
n ₀	velocidad sin carga
... /min r /min	revoluciones o alternaciones por minuto, frecuencia de rotación

Instrucciones importantes de seguridad para el cartucho de batería

1. Antes de utilizar el cartucho de batería, lea todas las instrucciones e indicaciones de precaución en el (1) el cargador de batería, (2) la batería, y (3) el producto con el que se utiliza la batería.
2. No desarme ni modifique el cartucho de batería. Podría ocurrir un incendio, calor excesivo o una explosión.
3. Si el tiempo de operación se ha acortado en exceso, deje de operar de inmediato. Podría correrse el riesgo de sobrecalentamiento, posibles quemaduras e incluso explosión.
4. En caso de que ingresen electrolitos en sus ojos, enjuáguelos bien con agua limpia y consulte de inmediato a un médico. Esto podría ocasionar pérdida de visión.
5. Evite cortocircuitar el cartucho de batería:
 - (1) No toque las terminales con ningún material conductor.
 - (2) Evite guardar el cartucho de batería en un cajón junto con otros objetos metálicos, tales como clavos, monedas, etc.
 - (3) No esponga el cartucho de batería al agua o la lluvia.

Un cortocircuito en la batería puede causar un flujo grande de corriente, sobrecalentamiento, posibles quemaduras e incluso una descompostura.
6. No guarde ni utilice la herramienta y el cartucho de batería en lugares donde la temperatura pueda alcanzar o exceder los 50 °C (122 °F).
7. Nunca incinere el cartucho de batería incluso en el caso de que esté dañado seriamente o ya no sirva en absoluto. El cartucho de batería puede explotar si se tira al fuego.
8. No clave, corte, aplaste, lance o deje caer el cartucho de batería, ni golpee un objeto sólido contra el cartucho de batería. Dicha acción podría resultar en un incendio, calor excesivo o en una explosión.
9. No use una batería dañada.
10. Las baterías de ión de litio están sujetas a los requisitos reglamentarios en materia de bienes peligrosos.

Para el transporte comercial, por ej., mediante terceros o agentes de transporte, se deben tomar en cuenta los requisitos especiales relativos al empaque y el etiquetado.

Para efectuar los preparativos del artículo que se va a enviar, se requiere consultar a un experto en materiales peligrosos. Si es posible, consulte además otras regulaciones nacionales más detalladas.

Pegue o cubra con cinta adhesiva los contactos abiertos y empaque la batería de manera que ésta no pueda moverse dentro del paquete.
11. Para deshacerse del cartucho de batería, sáquelo de la herramienta y deséchelo en un lugar seguro. Siga las regulaciones locales relacionadas al desecho de las baterías.

12. Utilice las baterías únicamente con los productos especificados por Makita. Instalar las baterías en productos que no cumplan con los requisitos podría ocasionar un incendio, un calentamiento excesivo, una explosión o una fuga de electrolito.
13. Si no se utiliza la herramienta por un período largo, debe extraerse la batería de la herramienta.
14. El cartucho de batería podría absorber calor durante y después de su uso, lo que ocasionaría quemaduras o quemaduras a baja temperatura. Tenga cuidado con la manipulación de los cartuchos de batería que estén calientes.
15. No toque el terminal de la herramienta inmediatamente después de su uso, ya que el mismo podría estar lo suficientemente caliente como para provocarle quemaduras.
16. No permita que las rebabas, el polvo o la tierra queden atrapados en los terminales, orificios y ranuras del cartucho de batería. Podría provocar calentamiento, incendio, explosión y mal funcionamiento de la herramienta o del cartucho de batería, lo que resultaría en quemaduras o lesiones personales.
17. No utilice el cartucho de batería cerca de cables eléctricos de alto voltaje, a menos que la herramienta sea compatible con el uso cercano a estos cables eléctricos de alto voltaje. Esto podría ocasionar una avería o descompostura de la herramienta o del cartucho de batería.
18. Mantenga la batería alejada de los niños.

GUARDE ESTAS INSTRUCCIONES.

⚠PRECAUCIÓN: Utilice únicamente baterías originales de Makita. El uso de baterías no originales de Makita, o de baterías alteradas, puede ocasionar que las baterías exploten causando un incendio, lesiones personales y daños. Asimismo, esto invalidará la garantía de Makita para la herramienta y el cargador Makita.

Consejos para alargar al máximo la vida útil de la batería

1. Cargue el cartucho de batería antes de que se descargue completamente. Pare siempre la operación y cargue el cartucho de batería cuando note menos potencia en la herramienta.
2. No cargue nunca un cartucho de batería que esté completamente cargado. La sobrecarga acortará la vida de servicio de la batería.
3. Cargue el cartucho de batería a una temperatura ambiente de 10 °C - 40 °C (50 °F - 104 °F). Si un cartucho de batería está caliente, déjelo enfriar antes de cargarlo.
4. Cuando no utilice el cartucho de batería, sáquelo de la herramienta o del cargador.
5. Cargue el cartucho de batería si no va a utilizarlo durante un período prolongado (más de seis meses).

DESCRIPCIÓN DEL FUNCIONAMIENTO

⚠️ PRECAUCIÓN: Asegúrese siempre de que la herramienta esté apagada y el cartucho de batería haya sido extraído antes de realizar cualquier ajuste o comprobación en la herramienta.

Instalación o extracción del cartucho de batería

⚠️ PRECAUCIÓN: Apague siempre la herramienta antes de colocar o quitar el cartucho de batería.

⚠️ PRECAUCIÓN: Sujete la herramienta y el cartucho de la batería con firmeza al colocar o quitar el cartucho de batería. Si no se sujeta con firmeza la herramienta y el cartucho de batería, puede ocasionar que se resbalen de sus manos causando daños a la herramienta y al cartucho de batería, así como lesiones a la persona.

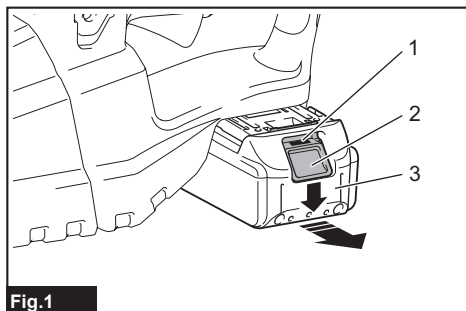


Fig.1

► 1. Indicador rojo 2. Botón 3. Cartucho de batería

Para quitar el cartucho de batería, deslícelo de la herramienta mientras desliza el botón sobre la parte delantera del cartucho.

Para instalar el cartucho de batería, alinee la lengüeta sobre el cartucho de batería con la ranura en la carcasa y deslícela hasta su lugar. Insértelo por completo hasta que se fije en su lugar con un pequeño clic. Si puede ver el indicador rojo como se muestra en la ilustración, este no ha quedado asegurado por completo.

⚠️ PRECAUCIÓN: Introduzca siempre completamente el cartucho de batería hasta que el indicador rojo no pueda verse. Si no, podría accidentalmente salirse de la herramienta y caer al suelo causando una lesión a usted o alguien a su alrededor.

⚠️ PRECAUCIÓN: No instale el cartucho de batería a la fuerza. Si el cartucho no se desliza al interior fácilmente, se debe a que no está siendo insertado correctamente.

Indicación de la capacidad restante de la batería

Únicamente para cartuchos de batería con el indicador

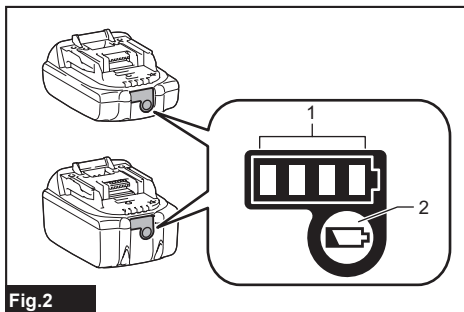


Fig.2

► 1. Luces indicadoras 2. Botón de verificación

Oprima el botón de verificación en el cartucho de la batería para que indique la capacidad restante de la batería. Las luces indicadoras se iluminarán por algunos segundos.


















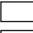




Luces indicadoras			Capacidad restante
Iluminadas	Apagadas	Parpadeando	
■ ■ ■ ■			75% a 100%
■ ■ ■ □			50% a 75%
■ □ □ □			25% a 50%
■ □ □ □	□ □ □ □		0% a 25%
▣ □ □ □	□ □ □ □		Cargar la batería.
■ □ □ □	□ □ □ □	▣ □ □ □	La batería pudo haber funcionado mal.
□ □ □ □	■ ■ ■ ■	□ □ □ □	

NOTA: Dependiendo de las condiciones de uso y la temperatura ambiente, la indicación podrá diferir ligeramente de la capacidad real.


NOTA: La primera luz indicadora (extrema izquierda) parpadeará cuando el sistema de protección de batería esté en funcionamiento.

Sistema de protección para la herramienta/batería

La herramienta está equipada con un sistema de protección de la herramienta/batería. Este sistema corta en forma automática el suministro de energía al motor para prolongar la vida útil de la herramienta y la batería. La herramienta se detendrá automáticamente durante la operación si la herramienta o la batería se someten a una de las siguientes condiciones:

Estado	Luces indicadoras		
	<input checked="" type="checkbox"/> Encendido	<input type="checkbox"/> Apagado	<input checked="" type="checkbox"/> Parpadeando
Sobrecarga		   	 
Sobrecalentamiento	   	   	 
Sobredescarga		   	 


Protección contra sobrecarga

Si la herramienta se sobrecarga al enredarse ramas u otros residuos, el indicador  y el de en medio comenzarán a parpadear y la herramienta se detendrá automáticamente.


En este caso, apague la herramienta y detenga la aplicación que causó que la herramienta se sobrecargara. Luego encienda la herramienta para volver a ponerla en marcha.

AVISO: Dependiendo de las condiciones de uso, la herramienta se apagará automáticamente sin indicación alguna en caso de sobrecargarse si alguna rama o residuo llegara a enredarse. En este caso, apague la herramienta, extraiga el cartucho de batería y luego retire las ramas o residuos usando herramientas tales como pinzas. Después de retirar las ramas o residuos, instale el cartucho de batería y vuelva a encender la herramienta.

Protección contra el sobrecalentamiento de la herramienta o la batería

Existen dos tipos de sobrecalentamiento: sobrecalentamiento de la herramienta y sobrecalentamiento de la batería. Cuando la herramienta se sobrecaliente, todos los indicadores de velocidad parpadearán. Cuando la batería se sobrecaliente, el indicador  parpadeará. Cuando ocurra el sobrecalentamiento, la herramienta se detendrá automáticamente. Permita que la herramienta y/o la batería se enfríen antes de volver a encender la herramienta.

Protección en caso de sobredescarga

Cuando la capacidad de la batería sea baja, la herramienta se detendrá automáticamente y el indicador  parpadeará.

Si la herramienta no funciona aun con los interruptores activados, retire la batería de la herramienta y cárguela.

Ajuste del ángulo del mango

PRECAUCIÓN: Asegúrese siempre de que el mango esté bloqueado en la posición deseada antes de la operación.

PRECAUCIÓN: No jale hacia abajo la palanca para desbloquear el mango mientras jala el gatillo interruptor. No jale el gatillo interruptor mientras jala hacia abajo la palanca y gira el mango. El hacerlo podría ocasionar una avería a la herramienta.

Usted puede ajustar el ángulo del mango a 0°, 45°, o 90° a la izquierda o a la derecha. Para cambiar el ángulo del mango, gire el mango mientras jala hacia abajo la palanca y luego suelte la palanca.

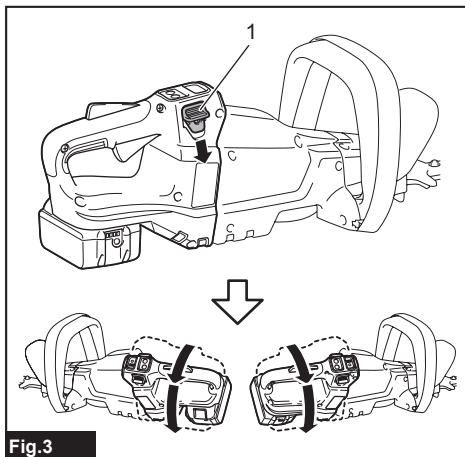


Fig.3

► 1. Palanca

Accionamiento del interruptor de encendido

ADVERTENCIA: Por su seguridad, esta herramienta está equipada con una palanca de desbloqueo para evitar que la herramienta se ponga en marcha accidentalmente. **NUNCA** use la herramienta si se pone en marcha simplemente al presionar la palanca del interruptor y jalar el gatillo interruptor sin haber presionado la palanca de desbloqueo. Lleve la herramienta a nuestro centro de servicio autorizado para una reparación adecuada **ANTES** de seguir usándola.

ADVERTENCIA: **NUNCA** fije con cinta adhesiva ni impida el funcionamiento ni la finalidad de la palanca de desbloqueo.

ADVERTENCIA: Antes de instalar el cartucho de batería en la herramienta, verifique siempre que el gatillo interruptor y la palanca del interruptor se accionen debidamente y que regresen a la posición de apagado una vez que se suelten. Usar una herramienta con un interruptor que no funcione adecuadamente puede provocar la pérdida del control y ocasionar lesiones personales graves.

⚠PRECAUCIÓN: Nunca coloque su dedo en el interruptor cuando transporte la herramienta. La herramienta podría ponerse en marcha accidentalmente y ocasionar una lesión.

AVISO: No jale fuerte el gatillo interruptor sin presionar la palanca de desbloqueo. Esto podría dañar el interruptor.

Oprima el botón de encendido principal para encender la herramienta. La luz de alimentación se encenderá una vez que la herramienta se haya encendido. Para apagar la herramienta, mantenga oprimido el botón de encendido principal. La luz de alimentación se apagará una vez que la herramienta se haya apagado.

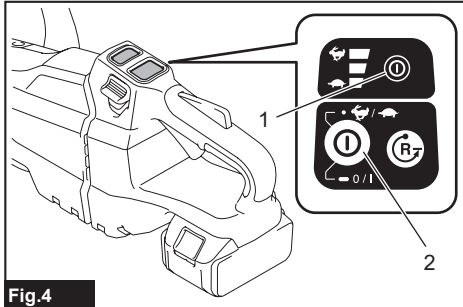


Fig.4

► 1. Luz de alimentación 2. Botón de encendido principal

NOTA: La herramienta se apagará automáticamente si no es operada durante cierto periodo de tiempo.

Para evitar que el gatillo interruptor sea jalado accidentalmente, se proporciona una palanca de desbloqueo. Para arrancar la herramienta, presione la palanca de desbloqueo, y luego presione la palanca del interruptor y jale el gatillo interruptor. La velocidad de la herramienta aumentará al incrementar la presión en el gatillo interruptor. Suelte el gatillo interruptor para parar la herramienta.

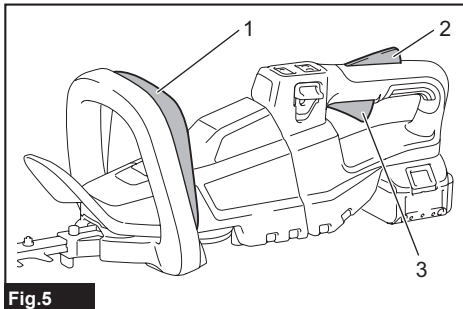


Fig.5

► 1. Palanca del interruptor 2. Palanca de desbloqueo 3. Gatillo interruptor

Ajuste de velocidad

Puede ajustar la velocidad de la herramienta pulsando el botón de encendido principal. Cada vez que toque el botón de encendido principal, el nivel de velocidad cambiará.

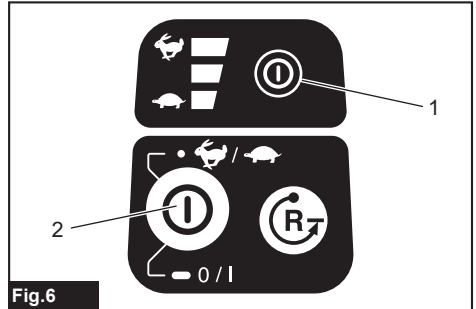


Fig.6

► 1. Luz de alimentación 2. Botón de encendido principal

Indicador	Modo	Velocidad de carrera
	Alto	4 400 cpm
	Medio	3 600 cpm
	Bajo	2 000 cpm

Botón de inversión para la eliminación de residuos

⚠ADVERTENCIA: Si las ramas o residuos enredados no pueden ser retirados con la función inversa, apague la herramienta, extraiga el cartucho de batería y luego retire las ramas o residuos usando herramientas tales como pinzas. El no apagar la herramienta y extraer el cartucho de batería podría ocasionar lesiones personales graves a causa de una puesta en marcha accidental. El retirar las ramas o residuos con la mano podría ocasionar una lesión, debido a que las cuchillas de cizalla pueden moverse al intentar retirarlas.

Esta herramienta cuenta con un botón de inversión para cambiar la dirección del movimiento de las cuchillas de cizalla. Su única función es la de eliminar las ramas y residuos enredados en la herramienta.

Para invertir el movimiento de las cuchillas de cizalla, pulse el botón de inversión una vez que las cuchillas de cizalla se hayan detenido, y luego presione la palanca del interruptor y jale el gatillo interruptor mientras presiona la palanca de desbloqueo. La luz de alimentación comenzará a parpadear y las cuchillas de cizalla se moverán en la dirección opuesta.

Una vez que las ramas y residuos enredados se hayan retirado, la herramienta regresará a su movimiento normal y la luz de alimentación dejará de parpadear y se encenderá.

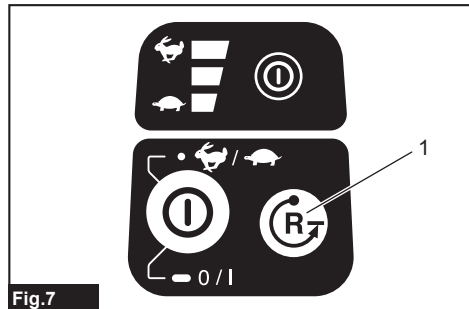


Fig.7

► 1. Botón de inversión

NOTA: Si las ramas o residuos enredados no pueden ser retirados, suelte y jale el gatillo interruptor hasta que sean retirados.

NOTA: Si pulsa el botón de inversión mientras las cuchillas de cizalla están moviéndose, la herramienta se detendrá y se preparará para el movimiento inverso.

Freno eléctrico

La herramienta está equipada con un freno eléctrico. Si la herramienta falla constantemente en detenerse tras soltar el gatillo interruptor, lleve la herramienta a mantenimiento a un centro de servicio Makita.

MONTAJE

PRECAUCIÓN: Asegúrese siempre de que la herramienta esté apagada y el cartucho de batería haya sido extraído antes de realizar cualquier trabajo en la misma.

PRECAUCIÓN: Siempre utilice guantes al reemplazar las cuchillas de cizalla de manera que sus manos no hagan contacto directo con las cuchillas.

AVISO: Cuando reemplace las cuchillas de cizalla no elimine la grasa del engranaje y de la manivela.

Instalación o extracción de las cuchillas de cizalla

PRECAUCIÓN: Coloque la cubierta de las cuchillas antes de extraer o instalar las cuchillas de cizalla.

Usted puede instalar en su herramienta cuchillas de cizalla de 500 mm (19-3/4"), 600 mm (23-5/8"), o 750 mm (29-1/2").

1. Coloque la herramienta de cabeza y luego retire los 6 pernos.

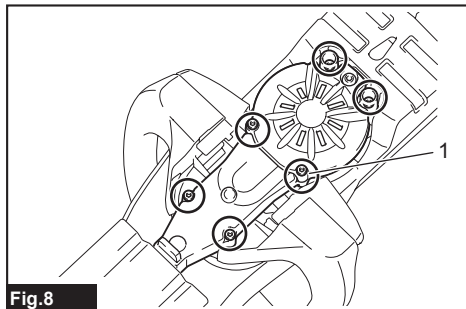


Fig.8

► 1. Perno

2. Extraiga la cubierta y la placa.

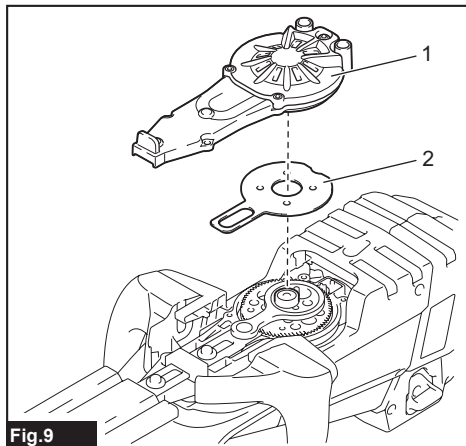


Fig.9

► 1. Cubierta 2. Placa

NOTA: La placa puede permanecer en la cubierta.

3. Retire la barra.

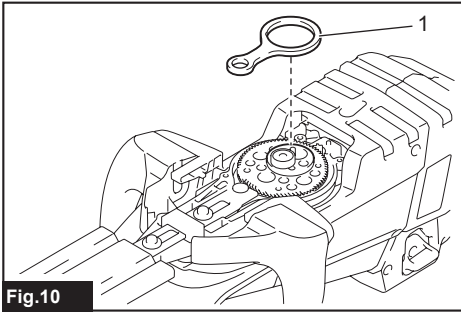


Fig.10

► 1. Barra

NOTA: La barra puede permanecer en la cubierta.

4. Retire los 2 tornillos, la almohadilla de fieltro y los manguitos, y luego extraiga las cuchillas de cizalla.

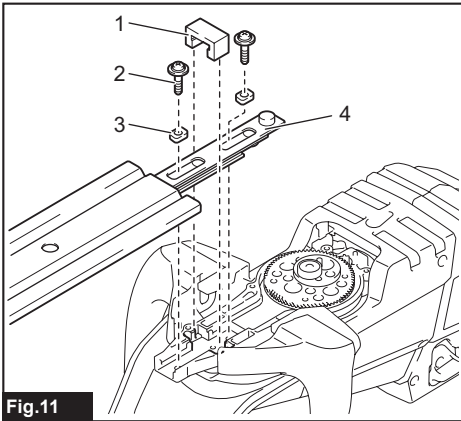


Fig.11

► 1. Almohadilla de fieltro 2. Tornillo 3. Manguito
4. Cuchillas de cizalla

5. Retire la cubierta de las cuchillas y luego colóquela en las nuevas cuchillas de cizalla.

6. Ajuste la manivela de manera que los 2 orificios queden alineados en la línea de alineación.

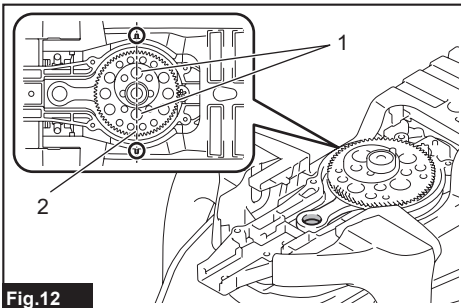


Fig.12

► 1. Orificio 2. Línea de alineación

7. Alinee las protuberancias en las cuchillas de cizalla verticalmente en la misma posición.

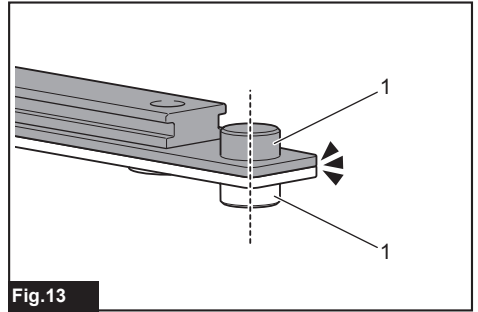


Fig.13

► 1. Protuberancia

8. Coloque la almohadilla de fieltro en las cuchillas de cizalla.

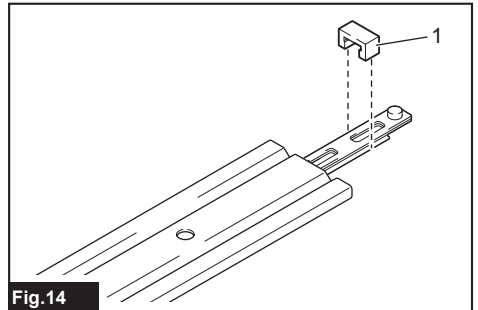


Fig.14

► 1. Almohadilla de fieltro

9. Inserte la protuberancia en las cuchillas de cizalla en el orificio de la barra, luego alinee la posición de la almohadilla de fieltro con los orificios en la herramienta, y después coloque los manguitos nuevos.

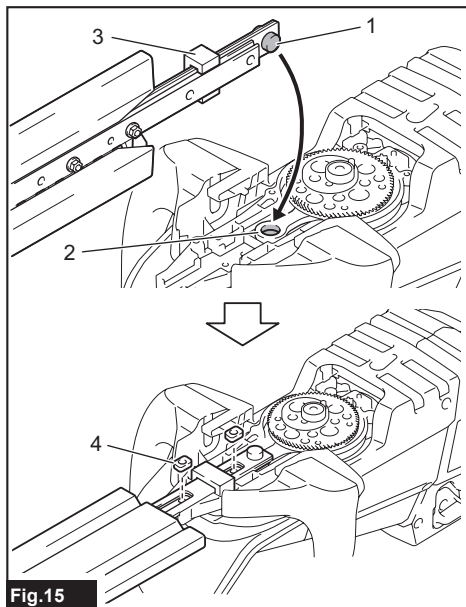


Fig.15

► 1. Protuberancia 2. Orificio 3. Almohadilla de fieltro 4. Manguito

AVISO: Aplique una pequeña cantidad de grasa a la periferia interior del orificio de la barra.

AVISO: Tenga cuidado de no perder los manguitos.

10. Alinee los orificios en las cuchillas de cizalla con los orificios en la herramienta, y luego apriete los 2 tornillos para fijar las cuchillas de cizalla.

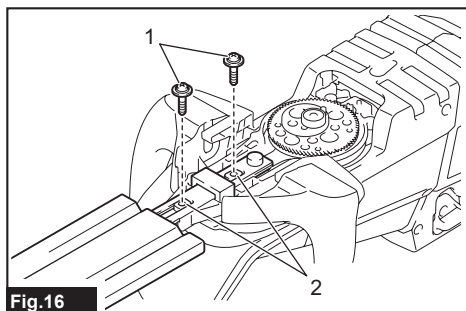


Fig.16

► 1. Tornillo 2. Orificio

11. Coloque la barra.

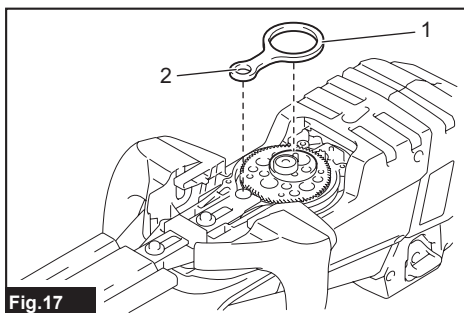


Fig.17

► 1. Barra 2. Orificio pequeño

AVISO: Aplique una pequeña cantidad de grasa a la periferia interior del orificio pequeño de la barra.

AVISO: Asegúrese de que la protuberancia en las cuchillas de cizalla encaje en el orificio pequeño de la barra.

12. Coloque la placa.

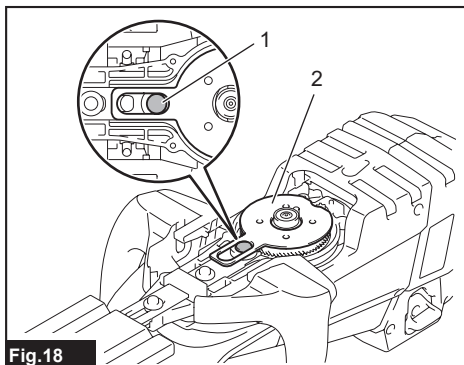


Fig.18

► 1. Protuberancia 2. Placa

AVISO: Asegúrese de que la protuberancia en las cuchillas de cizalla encaje en el orificio de la placa.

13. Coloque la cubierta y luego apriete los 6 pernos.

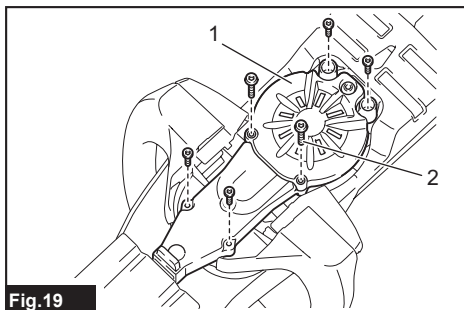


Fig.19

► 1. Cubierta 2. Perno

AVISO: Asegúrese de instalar 2 tornillos largos en los orificios centrales.

AVISO: Si las cuchillas de cizalla no se mueven con suavidad, es porque estas no están correctamente embonadas en las barras. Vuelva a instalar las cuchillas de cizalla.

AVISO: Si aparte de las cuchillas de cizalla otras piezas, tales como las barras, muestran signos de desgaste, solicite su reparación o reemplazo a los centros de servicio autorizados Makita.

Instalación o extracción del colector de residuos de residuos

Accesorio opcional

⚠PRECAUCIÓN: Siempre utilice guantes al instalar o extraer el colector de residuos de manera que sus manos no hagan contacto directo con las cuchillas de cizalla.

AVISO: La cubierta de las cuchillas no puede ser instalada si el colector de residuos está instalado en la herramienta. Antes de transportar o almacenar la herramienta, desinstale el colector de residuos y luego instale la cubierta de las cuchillas para evitar la exposición de las cuchillas.

AVISO: Asegúrese de retirar la cubierta de las cuchillas antes de instalar el colector de residuos.

El colector de residuos recolecta los restos de hojas y facilita la limpieza más adelante. Éste puede instalarse en ambos lados de la herramienta.

Tipo 1

Para instalar el colector de residuos, alinee la punta de las cuchillas de cizalla con la punta del colector de residuos y luego presione el colector de residuos contra las cuchillas de cizalla, de manera que los ganchos encajen en las ranuras de las cuchillas de cizalla.

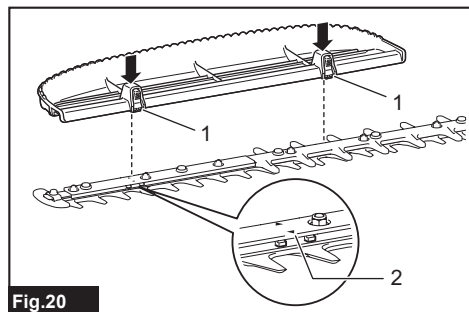


Fig.20

► 1. Gancho 2. Marca de la flecha

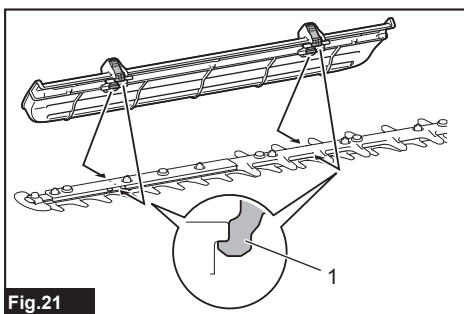


Fig.21

► 1. Gancho

AVISO: Asegúrese de que el colector de residuos no se encime en el receptáculo de ramas.

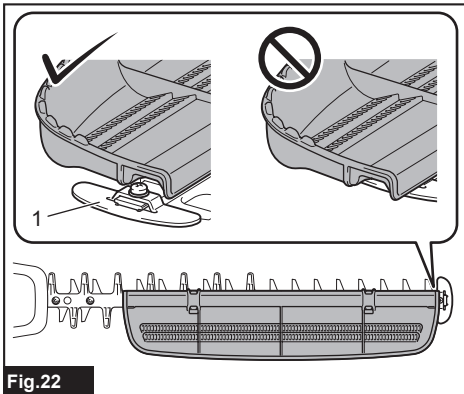


Fig.22

► 1. Receptáculo de ramas

Para extraer el colector de residuos, presione las palancas en ambos lados para liberar los ganchos.

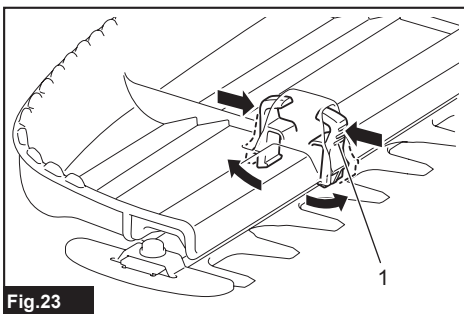


Fig.23

► 1. Palanca

Tipo 2

1. Enganche las barretas del colector de residuos a las cuchillas de cizalla.

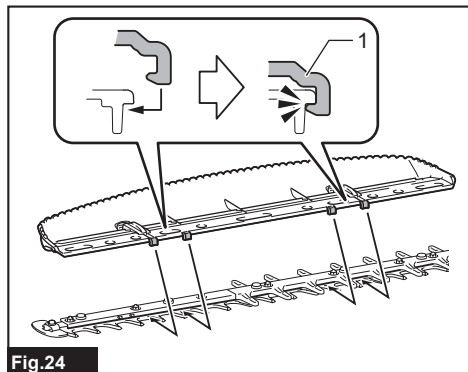


Fig.24

► 1. Barreta

2. Alinee los orificios del colector de residuos con los tornillos de las cuchillas de cizalla, y luego fije el colector de residuos a las cuchillas de cizalla de forma segura.

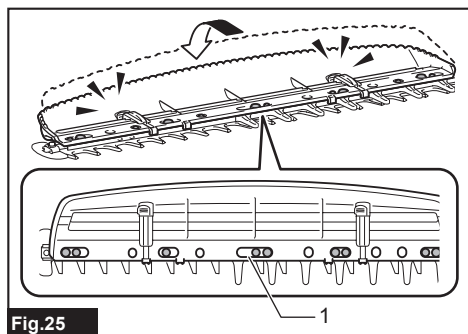


Fig.25

► 1. Orificio

AVISO: Asegúrese de que el colector de residuos no se encime en el receptáculo de ramas.

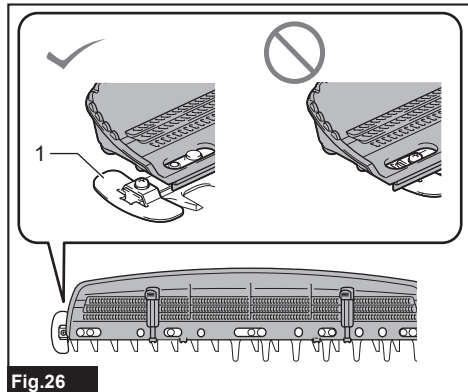


Fig.26

► 1. Receptáculo de ramas

Para extraer el colector de residuos, presione las palancas para liberar las partes salientes.

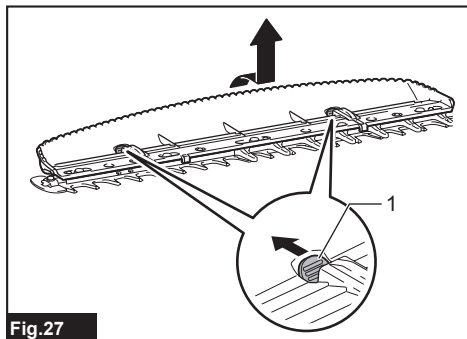


Fig.27

► 1. Palanca

AVISO: Nunca intente extraer el colector de residuos aplicando una fuerza excesiva con sus ganchos asegurados en las ranuras de las cuchillas de cizalla.

OPERACIÓN

⚠ADVERTENCIA: Mantenga las manos alejadas de las cuchillas de cizalla.

⚠PRECAUCIÓN: Si es posible, evite utilizar la herramienta cuando haga demasiado calor. Durante la operación de la herramienta, vigile su condición física.

⚠PRECAUCIÓN: Tenga cuidado de no tocar accidentalmente una cerca de metal u otros objetos duros durante el podado. Las cuchillas de cizalla podrían romperse y ocasionar una lesión.

⚠PRECAUCIÓN: Tenga cuidado de no permitir que las cuchillas de cizalla hagan contacto con el suelo. La herramienta podría retroceder y ocasionar una lesión.

⚠PRECAUCIÓN: Trabajar con el cortasetos en un lugar donde no alcance, particularmente desde una escalera, es extremadamente peligroso. No trabaje mientras esté parado sobre una superficie tambaleante o poco firme.

AVISO: No intente usar la herramienta para cortar ramas con un diámetro mayor a 10 mm (3/8"). Corte las ramas a 10 cm (4") menos que la altura de corte usando algún cortador de ramas antes de usar la herramienta.

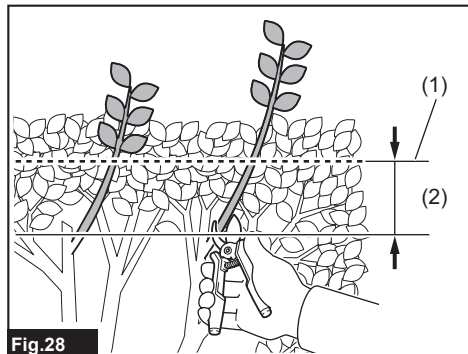


Fig.28

► (1) Altura de corte (2) 10 cm (4")

AVISO: No corte árboles muertos ni otros objetos duros similares. El hacerlo podría dañar la herramienta.

AVISO: No corte hierba ni maleza mientras esté usando las cuchillas de cizalla. Las cuchillas de cizalla podrían quedar atrapadas en la hierba o maleza.

Sostenga la herramienta con ambas manos, presione la palanca del interruptor y jale el gatillo interruptor mientras presiona la palanca de desbloqueo, y luego desplácela hacia adelante.

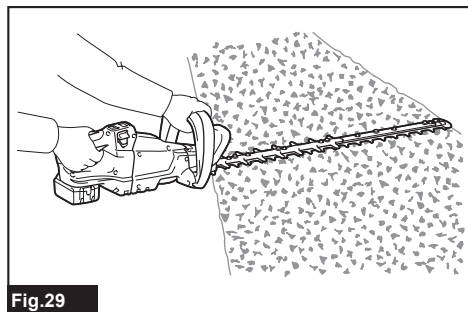


Fig.29

Para la operación básica, incline las cuchillas de cizalla hacia la dirección del podado y desplácelas lentamente y con calma a un ritmo de velocidad de 3 a 4 segundos por metro.

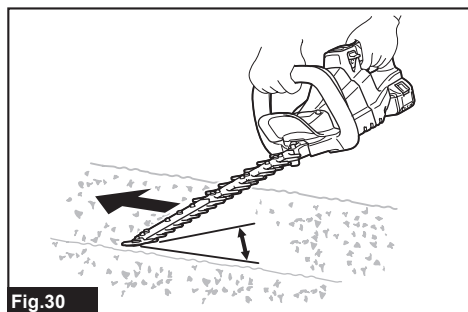


Fig.30

Para cortar la superficie de un seto de manera uniforme, ate un cordón a la altura deseada y pódalo a lo largo de este.

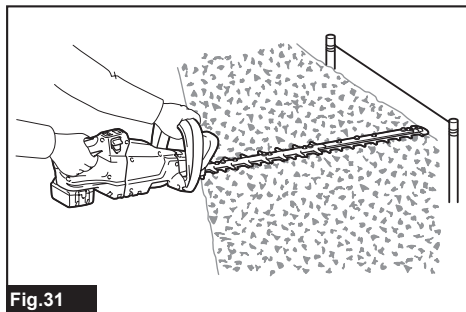


Fig.31

Tener colocado el colector de residuos en las cuchillas de cizalla permite que éste recolecte los restos de hojas y facilita la limpieza más adelante.

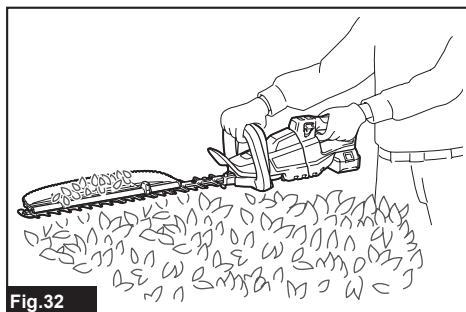


Fig.32

Para cortar la parte lateral de un seto de manera uniforme, corte de abajo hacia arriba.

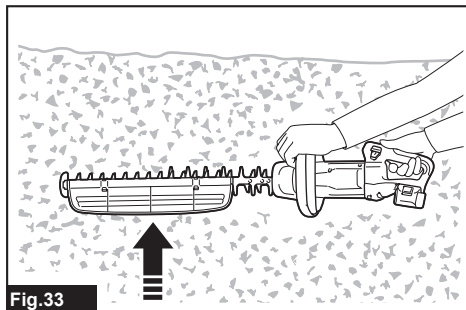


Fig.33

Cuando desee hacer formas redondas al podar (podar setos de boj o rododendro, etc.), corte de la raíz a la parte superior para lograr un resultado excelente.

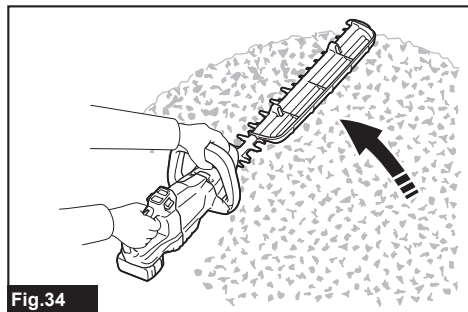


Fig.34

Después de la operación, elimine el polvo en ambos lados de las cuchillas de cizalla con un cepillo de alambre, limpie con un paño y luego aplique aceite de baja viscosidad (aceite para máquinas o aceite lubricante en aerosol) a las cuchillas de cizalla.

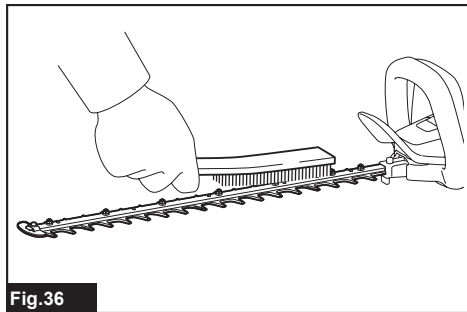


Fig.36

MANTENIMIENTO

▲PRECAUCIÓN: Asegúrese siempre de que la herramienta esté apagada y el cartucho de batería extraído antes de intentar realizar una inspección o mantenimiento.

Para mantener la SEGURIDAD y FIABILIDAD del producto, las reparaciones, y cualquier otra tarea de mantenimiento o ajuste deberán ser realizadas en centros de servicio autorizados o de fábrica Makita, empleando siempre repuestos Makita.

Limpeza de la herramienta

Quite el polvo de la herramienta con un paño seco o humedezca un paño en agua y jabón y exprímalo para limpiarla.

AVISO: Nunca use gasolina, bencina, diluyente (tíner), alcohol o sustancias similares. Puede que esto ocasione grietas o descoloramiento.

Mantenimiento de las cuchillas de cizalla

Antes de la operación o una vez por hora durante la operación, aplique aceite de baja viscosidad (aceite para máquinas o aceite lubricante en aerosol) a las cuchillas de cizalla.

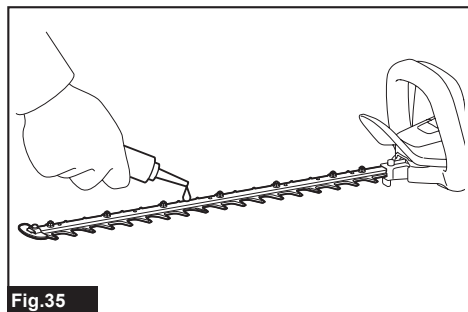


Fig.35

AVISO: No lave las cuchillas de cizalla con agua. Esto podría ocasionar oxidación o daños a la herramienta.

AVISO: La suciedad y la corrosión causan una fricción excesiva de las cuchillas y acorta el tiempo de operación en cada carga de batería.

Almacenamiento

El orificio para el gancho en la parte inferior de la herramienta resulta útil para colgar la herramienta en la pared usando un clavo o tornillo.

Coloque la cubierta de las cuchillas de cizalla de manera que las cuchillas no queden expuestas. Almacene la herramienta fuera del alcance de los niños. Almacene la herramienta en un lugar que no esté expuesto a la humedad o la lluvia.

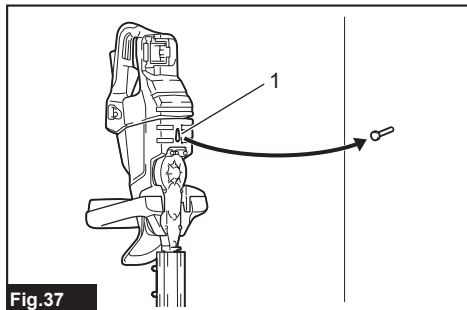


Fig.37

► 1. Orificio

Afilado de las cuchillas de cizalla

AVISO: Si las cuchillas de cizalla se encuentran considerablemente desgastadas a causa del afilado, reemplácelas con unas nuevas.

1. Instale el cartucho de batería en la herramienta.
2. Encienda y ponga en marcha la herramienta de manera que las cuchillas superior e inferior estén posicionadas alternativamente.

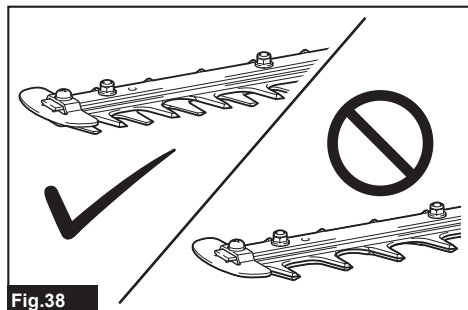


Fig.38

3. Apague la herramienta y retire el cartucho de batería.
4. Retire el tornillo y luego extraiga el receptáculo de ramas.

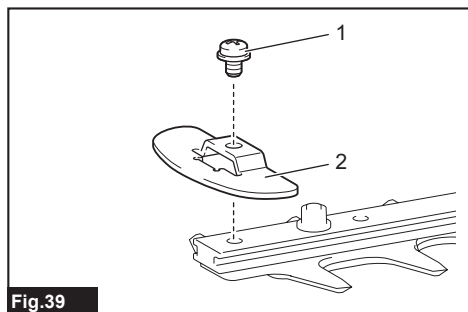


Fig.39

- 1. Tornillo 2. Receptáculo de ramas

5. Ajuste el ángulo de la lima a 45°, y afile la cuchilla superior desde 3 direcciones con la lima.

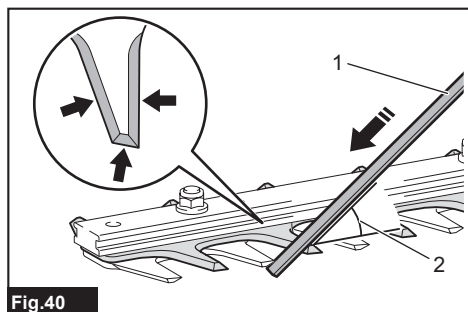


Fig.40

- (1) Lima (2) 45°

PRECAUCIÓN: Antes de afilar las cuchillas de cizalla, asegúrese de que la herramienta esté apagada y que el cartucho de batería haya sido extraído de la herramienta.

6. Coloque la herramienta de cabeza y luego retire las rebabas de las cuchillas de cizalla con la piedra de acabado.

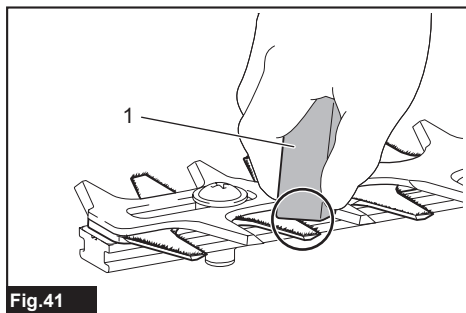


Fig.41

- 1. Piedra de acabado

7. Ajuste el ángulo de la lima a 45°, y afile la cuchilla inferior desde 3 direcciones con la lima.

8. Regrese la herramienta a la posición normal y luego retire las rebabas de las cuchillas de cizalla con la piedra de acabado.

9. Fije el receptáculo de ramas apretando el tornillo.

Lubricación con grasa

Intervalo de lubricación: Cada 100 horas de operación

1. Quite los 3 pernos y luego retire la cubierta inferior.

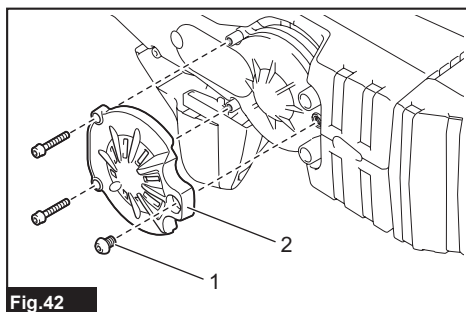


Fig.42

- 1. Perno 2. Cubierta inferior

2. Retire la tapa del recipiente para grasa y luego coloque el recipiente para grasa en el orificio de la cubierta girándolo.

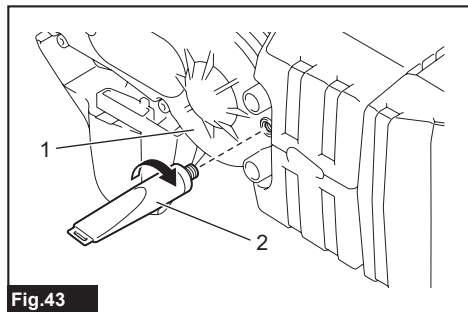


Fig.43

- 1. Cubierta 2. Recipiente para grasa

3. Aplique la grasa a la herramienta (aproximadamente 5 g (0,2 oz) como referencia).
4. Retire el recipiente para grasa.
5. Coloque la cubierta inferior y luego apriete los 3 tornillos.

ACCESORIOS OPCIONALES

⚠PRECAUCIÓN: Estos accesorios o aditamentos están recomendados para utilizarse con su herramienta Makita especificada en este manual. El empleo de cualquier otro accesorio o aditamento puede conllevar el riesgo de lesiones personales. Utilice los accesorios o aditamentos solamente para su fin establecido.

Si necesita cualquier ayuda para más detalles en relación con estos accesorios, pregunte a su centro de servicio local Makita.

- Conjunto de cuchillas de cizalla
- Cubierta de las cuchillas de cizalla
- Colector de residuos
- Recipiente para grasa
- Batería y cargador originales de Makita

NOTA: Algunos de los artículos en la lista pueden incluirse en el paquete de la herramienta como accesorios estándar. Éstos pueden variar de país a país.

GARANTÍA LIMITADA DE MAKITA

Ésta Garantía no aplica para México

Consulte la hoja de la garantía anexa para ver los términos más vigentes de la garantía aplicable a este producto. En caso de no disponer de esta hoja de garantía anexa, consulte los detalles sobre la garantía descritos en el sitio web de su país respectivo indicado a continuación.

Estados Unidos de América: www.makitatools.com

Canadá: www.makita.ca

Otros países: www.makita.com

Makita Corporation
3-11-8, Sumiyoshi-cho,
Anjo, Aichi 446-8502 Japan
www.makita.com

885633E935 DUH502-3 EN, FRCA, ESMX 20211014
--